

50mm STANDARD ROUND FLOOR GRATE

50mm ROUND GRATE
Standard Floor Grate

Drawn: **Andrew Suhatam**

Date: *02/02/2010*

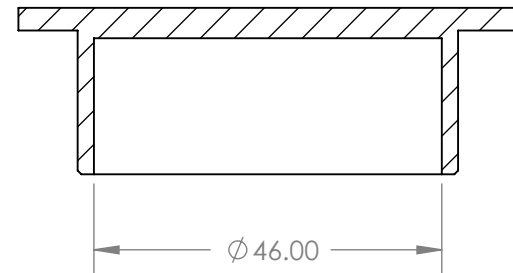
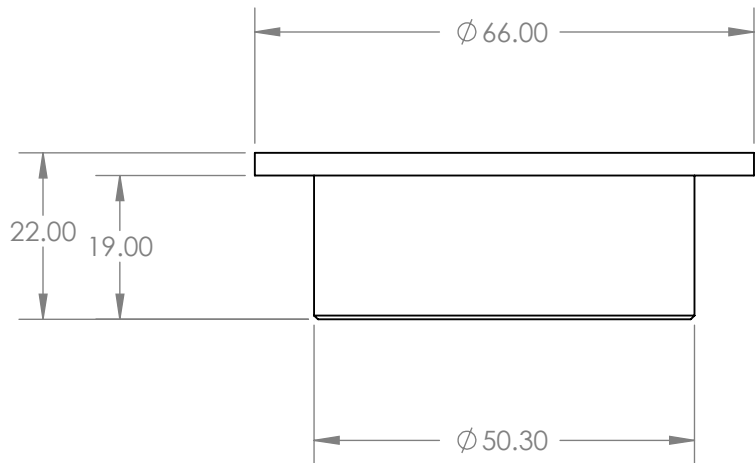
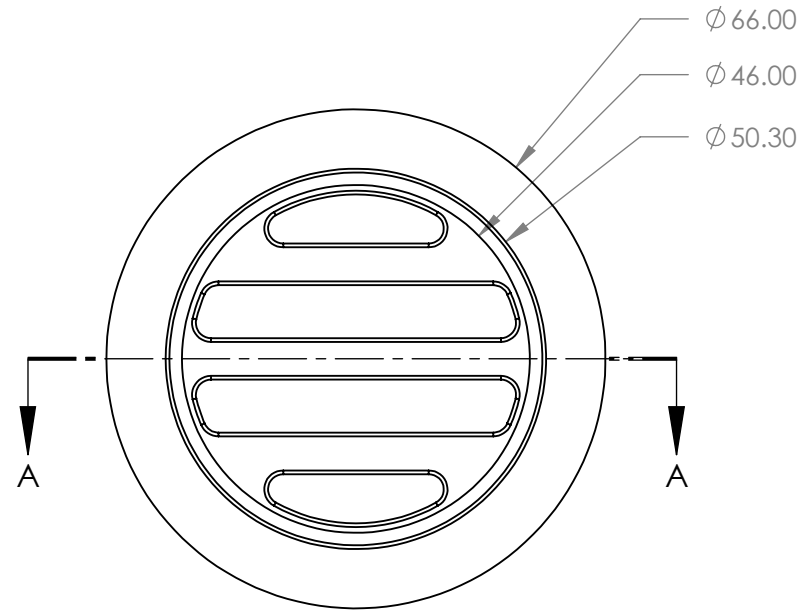
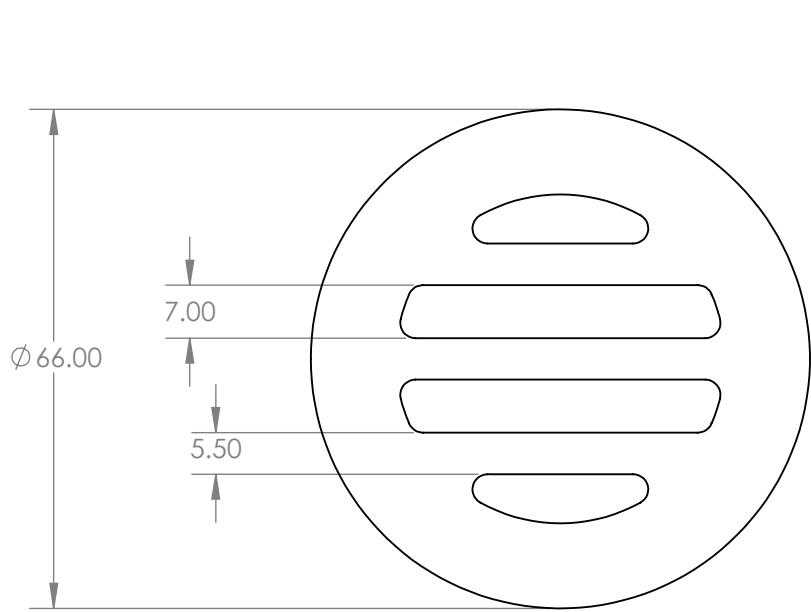
SCALE: 1:1

SHEET 1 OF 2



UNLESS OTHERWISE STATED:
DIMENSIONS ARE IN mm
SURFACE FINISH:
TOLERANCES:
LINEAR:
ANGULAR:

MATERIALS	REV. NO	DESCRIPTION	DATE	APPROVED
PRODUCT CODE				



SECTION A-A

50mm ROUND GRATE
Standard Floor Grate

UNLESS OTHERWISE STATED:
DIMENSIONS ARE IN mm
SURFACE FINISH:
TOLERANCES:
LINEAR:
ANGULAR:

MATERIALS	REV. NO	DESCRIPTION	DATE	APPROVED
PRODUCT CODE				

Drawn: **Andrew Suhatam**

Date: *02/02/2010*

SCALE: 1:1

SHEET 2 OF 2

