

50mm STANDARD SQUARE FLOOR GRATE

**50mm SQUARE GRATE**  
Standard Floor Grate

UNLESS OTHERWISE STATED:  
DIMENSIONS ARE IN mm  
SURFACE FINISH:  
TOLERANCES:  
LINEAR:  
ANGULAR:

MATERIALS	REV. NO	DESCRIPTION	DATE	APPROVED
PRODUCT CODE				

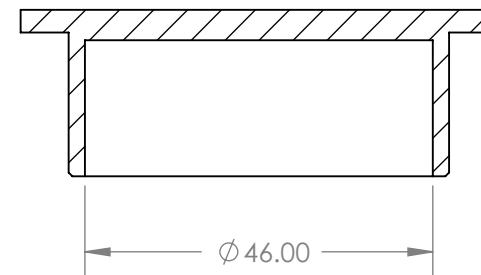
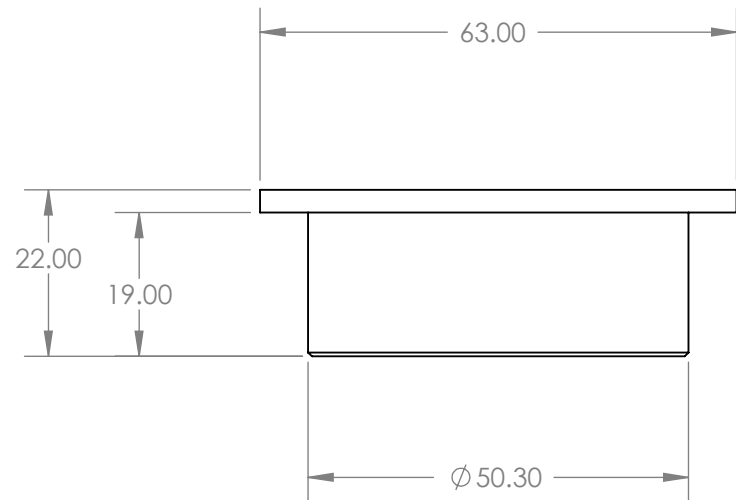
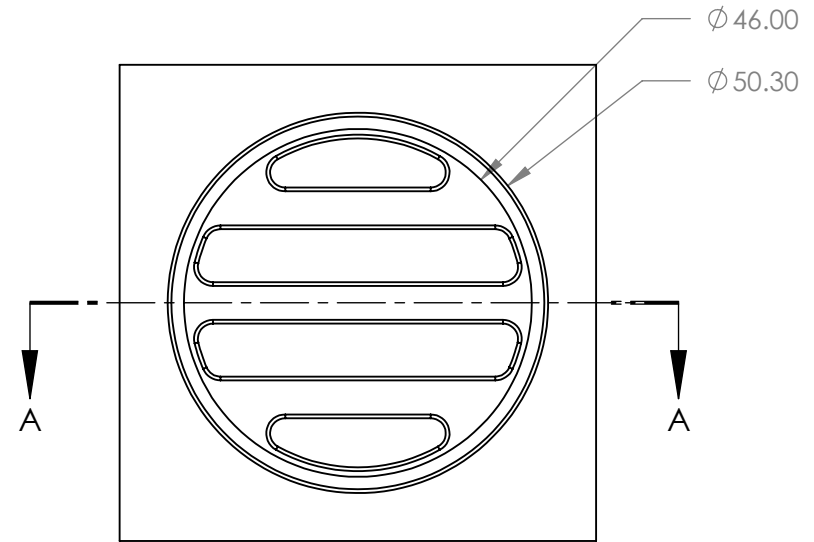
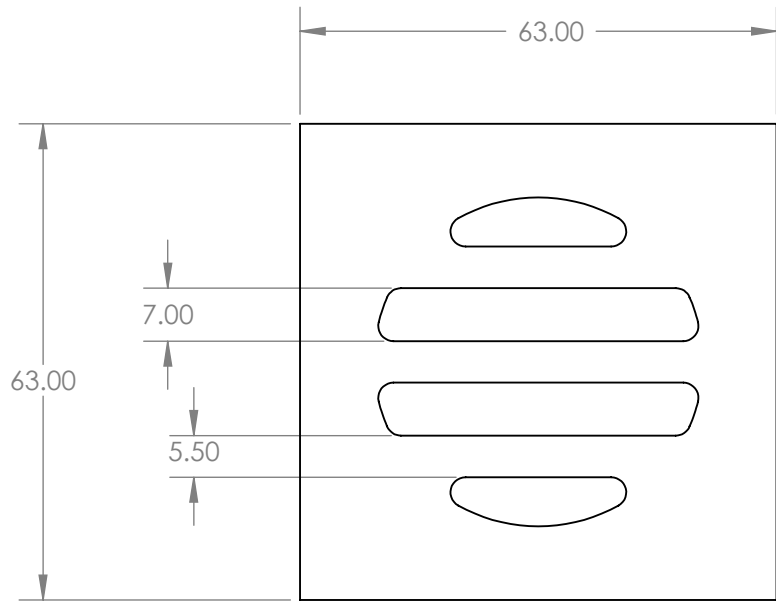
Drawn: **Andrew Suhatam**

Date: *02/02/2010*

SCALE: 1:1

SHEET 1 OF 2





SECTION A-A

**50mm SQUARE GRATE**  
Standard Floor Grate

UNLESS OTHERWISE STATED:  
DIMENSIONS ARE IN mm  
SURFACE FINISH:  
TOLERANCES:  
LINEAR:  
ANGULAR:

MATERIALS	REV. NO	DESCRIPTION	DATE	APPROVED
PRODUCT CODE				

Drawn: **Andrew Suhatam**

Date: *02/02/2010*

SCALE: 1:1

SHEET 2 OF 2

