

MATERIALS	
Tile insert	DZR Brass
100mm Strainer	Polypropylene
100mm Bermuda Base	DZR Brass

**BOUNTY BERMUDA FLOOR GRATE**  
**115mm x 100mm Floor Grate**



UNLESS OTHERWISE STATED:  
 DIMENSIONS ARE IN mm  
 SURFACE FINISH:  
 TOLERANCES:  
 LINEAR:  
 ANGULAR:

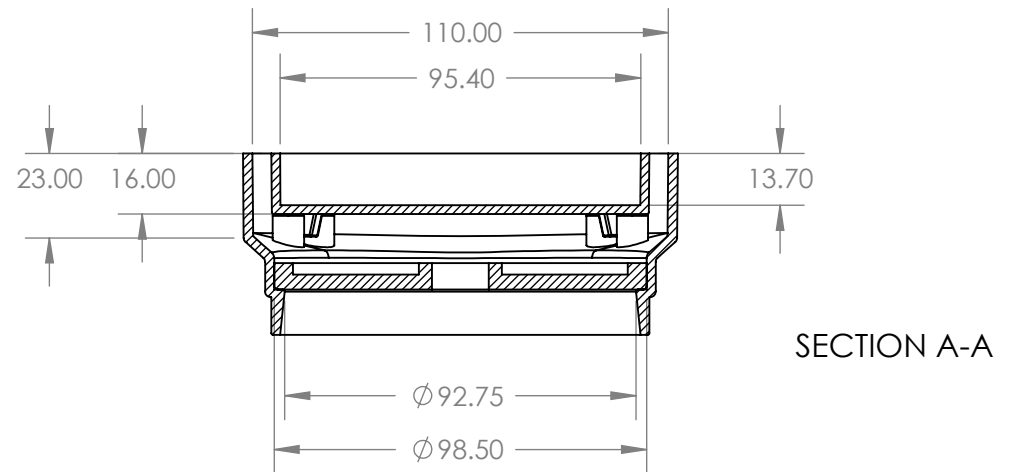
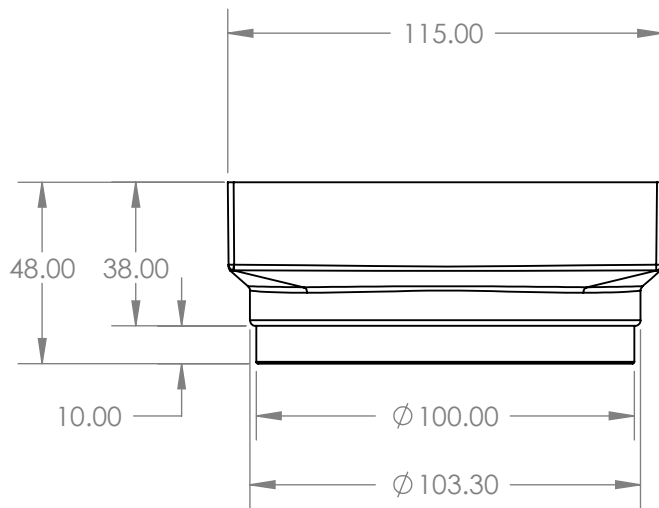
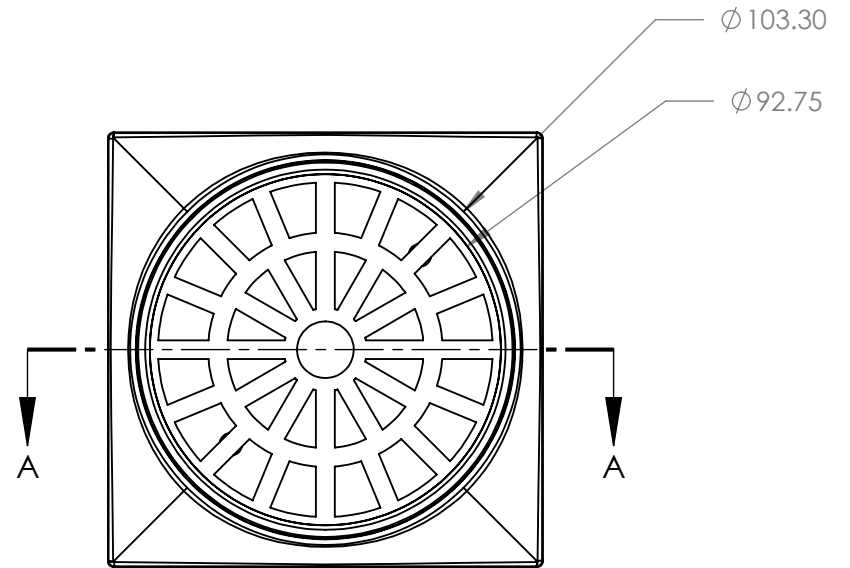
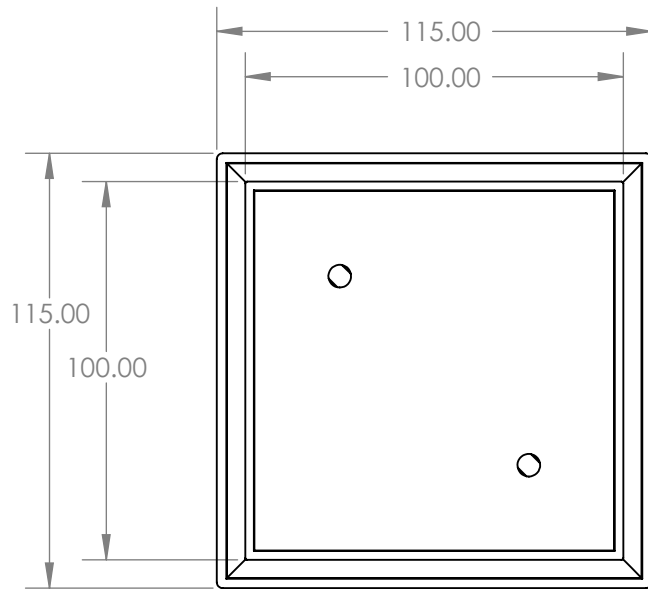
MATERIALS	REV. NO	DESCRIPTION	DATE	APPROVED
DZR Brass				
P.P.				
PRODUCT CODE	<b>FWBER115100</b>			

Drawn: **Andrew Suhatam**

Date: *25/01/2010*

SCALE: 1:2

SHEET 1 OF 2



**BOUNTY BERMUDA FLOOR GRATE**  
**115mm x 100mm Floor Grate**

UNLESS OTHERWISE STATED:  
 DIMENSIONS ARE IN mm  
 SURFACE FINISH:  
 TOLERANCES:  
 LINEAR:  
 ANGULAR:

MATERIALS	REV. NO	DESCRIPTION	DATE	APPROVED
DZR Brass				
P.P.				
PRODUCT CODE	<b>FWBER115100</b>			

Drawn: **Andrew Suhatam**

Date: *25/01/2010*

SCALE: 1:2

SHEET 2 OF 2

