

MATERIALS

| | |
|------------------------|---------------|
| Tile insert | DZR Brass |
| 100mm Bermuda Strainer | Polypropylene |
| 100mm Base | DZR Brass |

100mm BERMUDA FLIPPER GRATE
Flipper Floor Grate

UNLESS OTHERWISE STATED:
DIMENSIONS ARE IN mm
SURFACE FINISH:
TOLERANCES:
LINEAR:
ANGULAR:

| MATERIALS | REV. NO | DESCRIPTION | DATE | APPROVED |
|--------------|-----------------------|-------------|------|----------|
| DZR Brass | | | | |
| P.P. | | | | |
| PRODUCT CODE | FWBERFLIP100SC | | | |

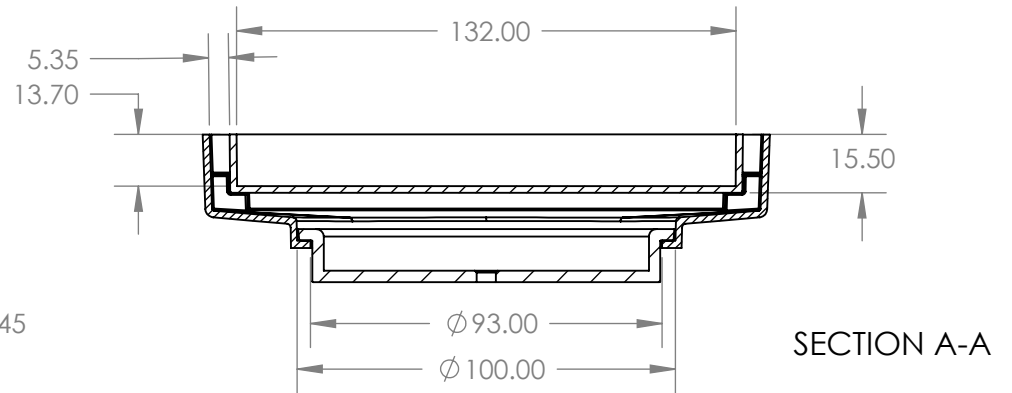
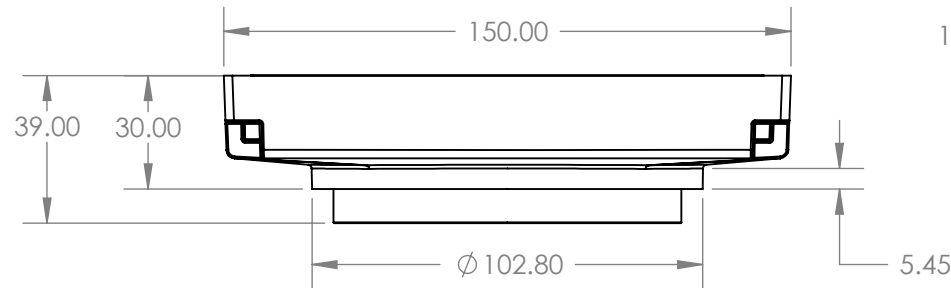
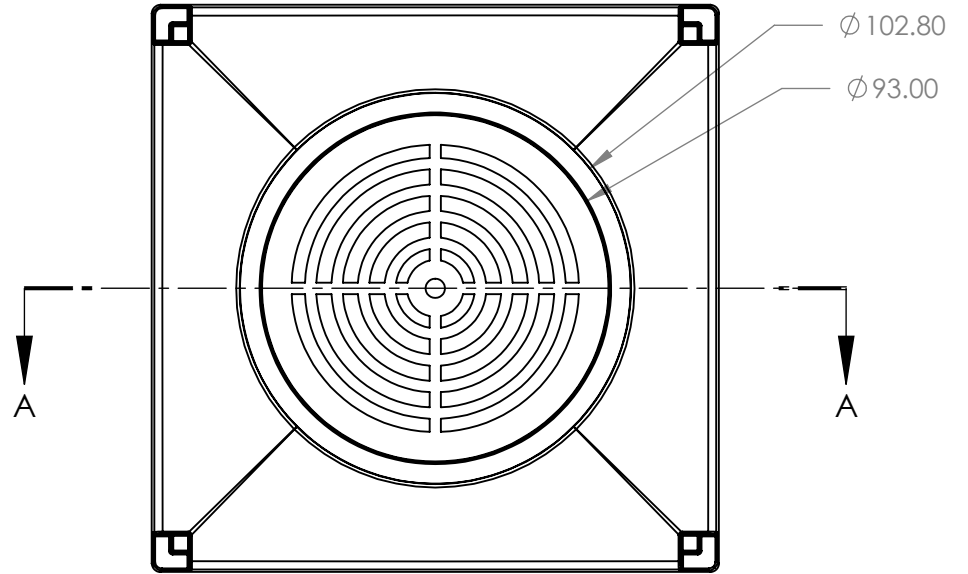
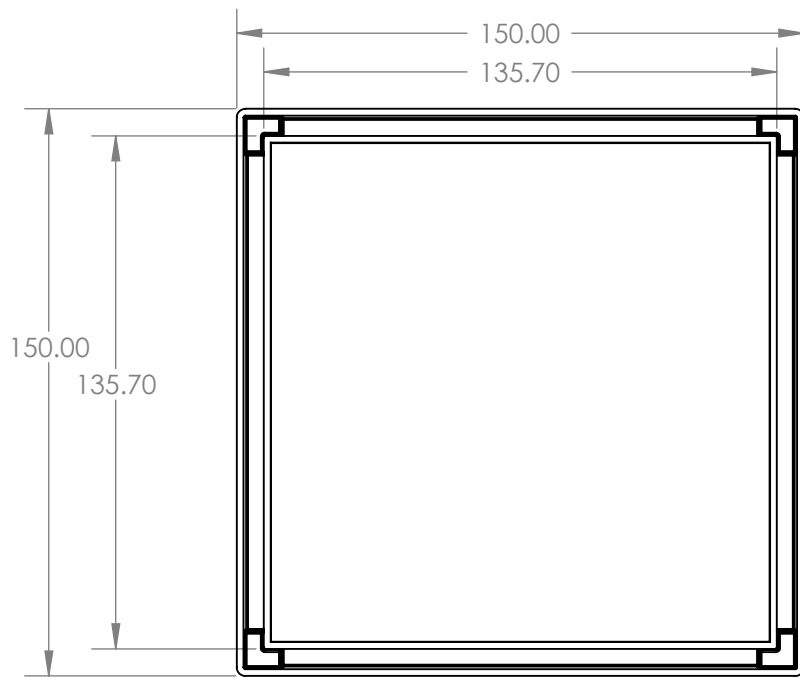
Drawn: **Andrew Suhatam**

Date: *10/02/2010*

SCALE: 1:2

SHEET 1 OF 4





100mm BERMUDA FLIPPER GRATE
Flipper Floor Grate

UNLESS OTHERWISE STATED:
DIMENSIONS ARE IN mm
SURFACE FINISH:
TOLERANCES:
LINEAR:
ANGULAR:

| MATERIALS | REV. NO | DESCRIPTION | DATE | APPROVED |
|--------------|-----------------------|--------------------------------------|---------|----------|
| DZR Brass | 1 | Changed opening diameter to 102.80mm | 24/2/10 | |
| P.P. | | | | |
| PRODUCT CODE | FWBERFLIP100SC | | | |

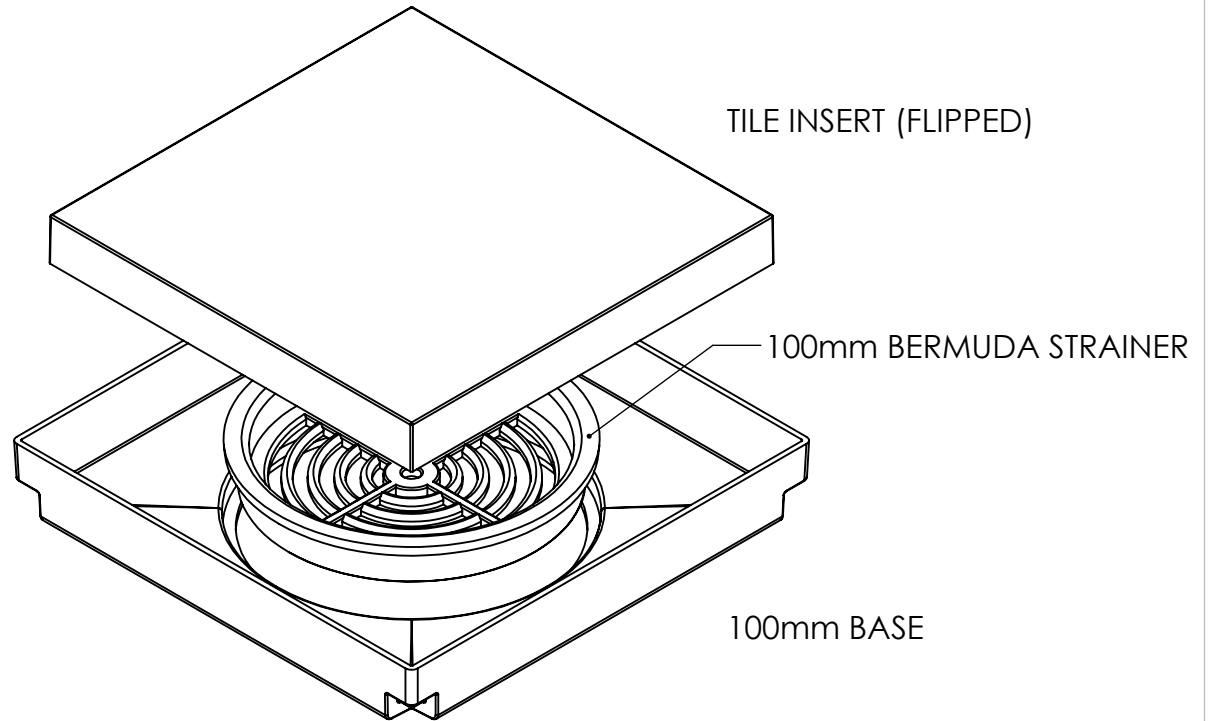
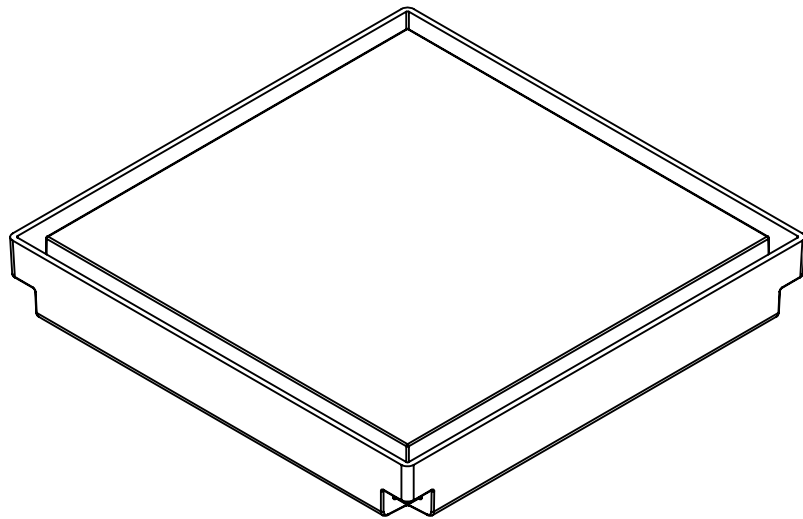
Drawn: **Andrew Suhatam**

Date: 10/02/2010

SCALE: 1:2

SHEET 2 OF 4





| MATERIALS | |
|------------------------|---------------|
| Tile insert | DZR Brass |
| 100mm Bermuda Strainer | Polypropylene |
| 100mm Base | DZR Brass |
| | |

**100mm BERMUDA FLIPPER GRATE
(Flipped Tile Insert) Flipper Floor Grate**



UNLESS OTHERWISE STATED:
DIMENSIONS ARE IN mm
SURFACE FINISH:
TOLERANCES:
LINEAR:
ANGULAR:

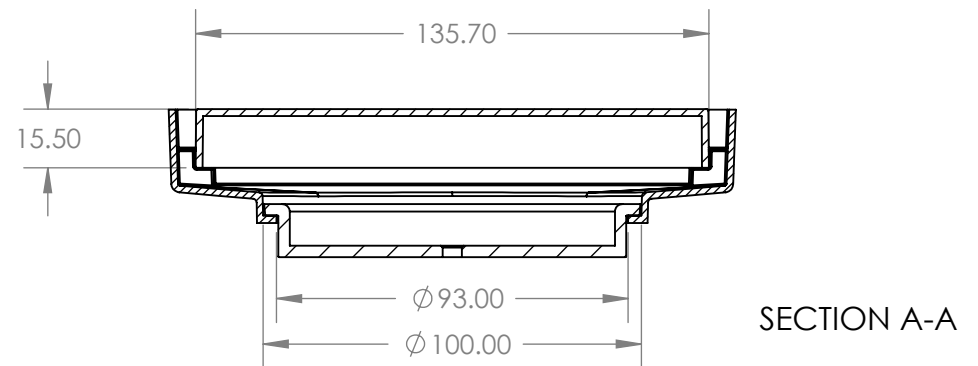
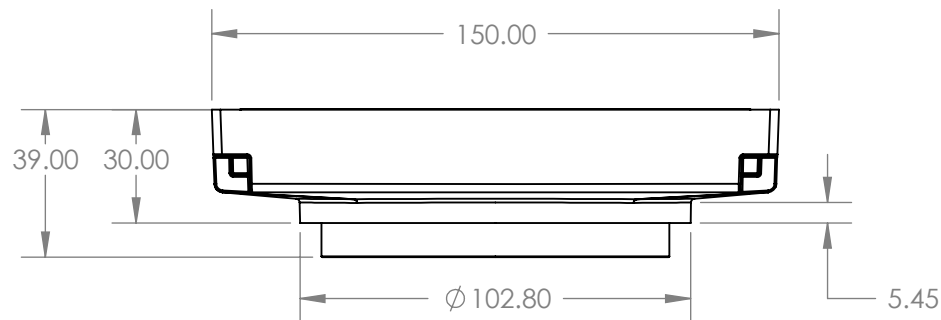
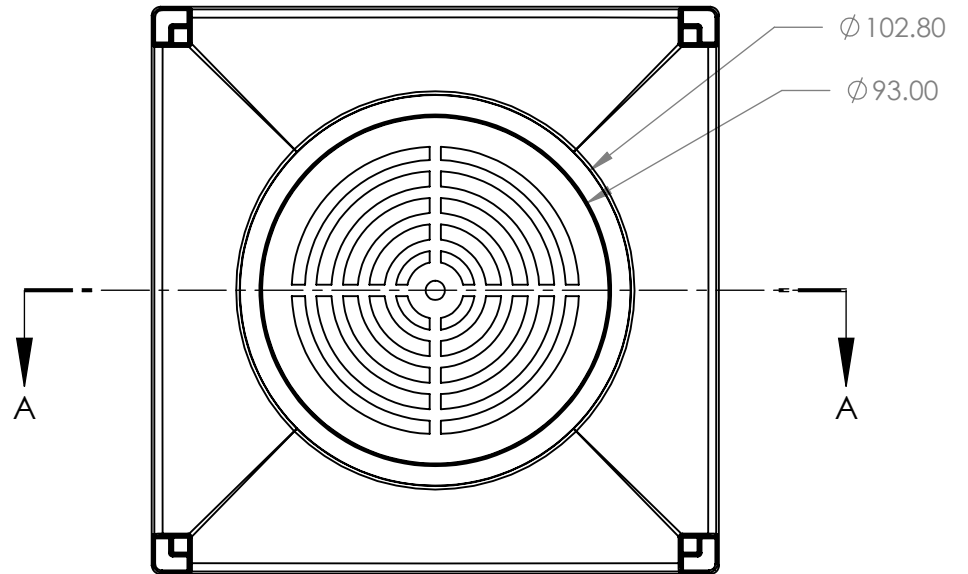
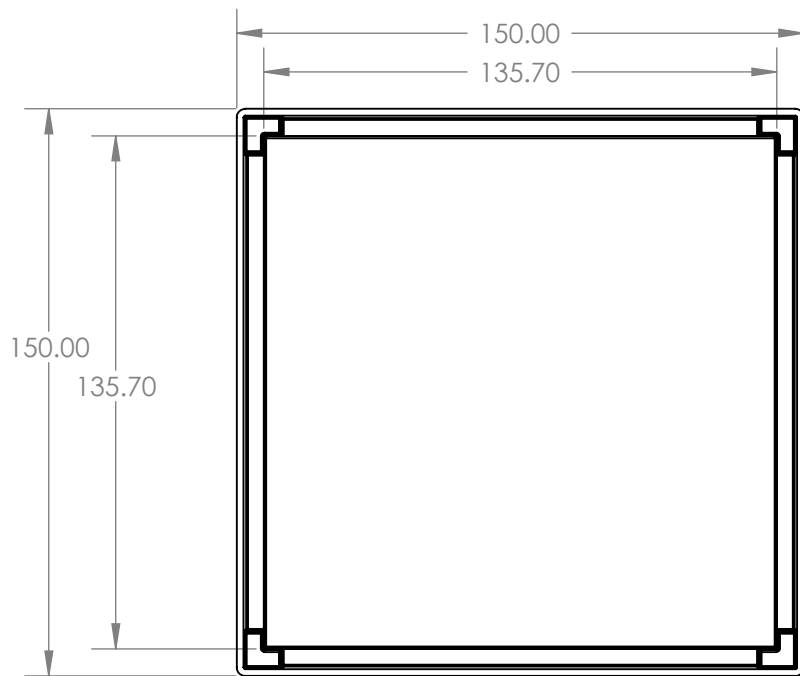
| MATERIALS | REV. NO | DESCRIPTION | DATE | APPROVED |
|--------------|-----------------------|-------------|------|----------|
| DZR Brass | | | | |
| P.P. | | | | |
| PRODUCT CODE | FWBERFLIP100SC | | | |

Drawn: **Andrew Suhatam**

Date: *10/02/2010*

SCALE: 1:2

SHEET 3 OF 4



SECTION A-A

**100mm BERMUDA FLIPPER GRATE
(Flipped Tile Insert) Flipper Floor Grate**

UNLESS OTHERWISE STATED:
DIMENSIONS ARE IN mm
SURFACE FINISH:
TOLERANCES:
LINEAR:
ANGULAR:

| MATERIALS | REV. NO | DESCRIPTION | DATE | APPROVED |
|--------------|-----------------------|---------------------------------------|---------|----------|
| DZR Brass | 1 | Opening dimension changed to 102.80mm | 24/2/10 | |
| P.P. | | | | |
| PRODUCT CODE | FWBERFLIP100SC | | | |

Drawn: **Andrew Suhatam**

Date: 10/02/2010

SCALE: 1:2

SHEET 4 OF 4

