

| General Table                |               |
|------------------------------|---------------|
| Tile Insert                  | DZR Brass     |
| 100mm Bermuda Triangle Base  | DZR Brass     |
| 100mm Undercap               | Polypropylene |
| 100mm Megaflex Base          | A.B.S.        |
| 100mm Megaflex Base (O ring) | Rubber        |

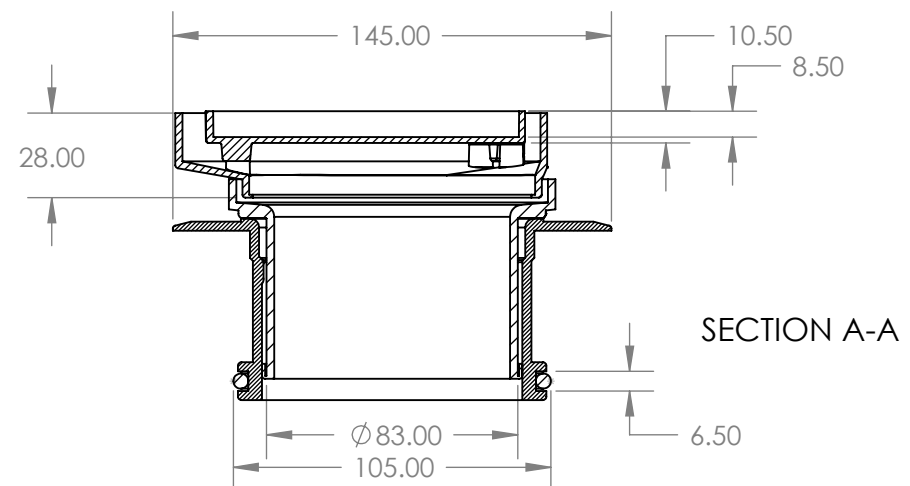
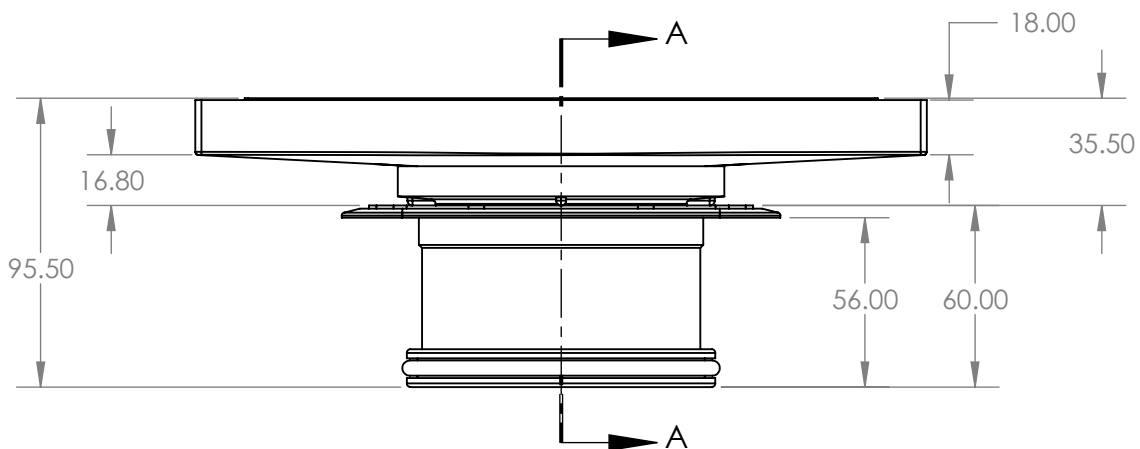
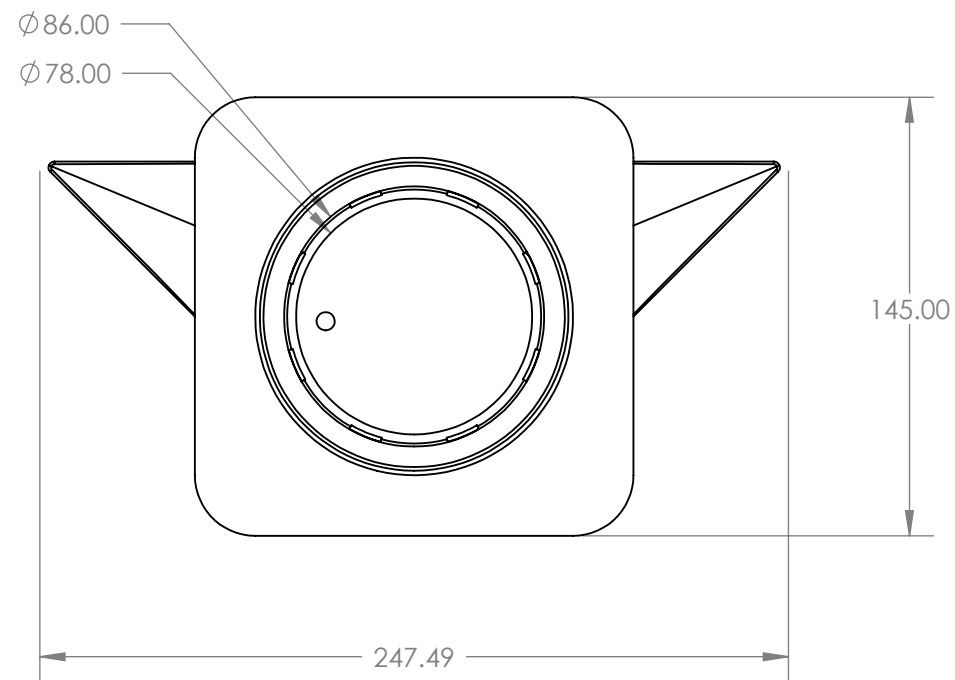
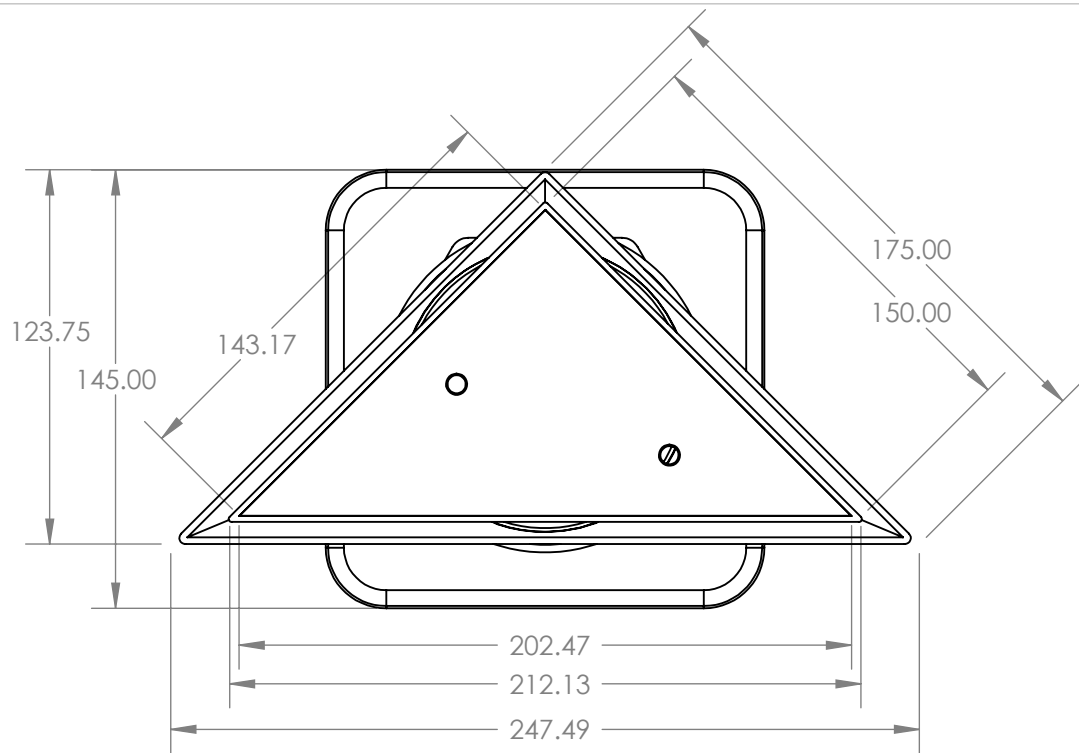
**80mm-100mm BERMUDA TRIANGLE  
100mm Base**

Drawn: **Andrew Suhatam**  
 Date: *27/01/2010*  
 SCALE: 1:2  
 SHEET 1 OF 2



UNLESS OTHERWISE STATED:  
 DIMENSIONS ARE IN mm  
 SURFACE FINISH:  
 TOLERANCES:  
 LINEAR:  
 ANGULAR:

| MATERIALS    | REV. NO | DESCRIPTION              | DATE | APPROVED |
|--------------|---------|--------------------------|------|----------|
|              |         |                          |      |          |
| PRODUCT CODE |         | <b>FWBERMEGATRI100CP</b> |      |          |



**80mm-100mm BERMUDA TRIANGLE  
100mm Base**

UNLESS OTHERWISE STATED:  
DIMENSIONS ARE IN mm  
SURFACE FINISH:  
TOLERANCES:  
LINEAR:  
ANGULAR:

| MATERIALS    | REV. NO | DESCRIPTION              | DATE | APPROVED |
|--------------|---------|--------------------------|------|----------|
|              |         |                          |      |          |
| PRODUCT CODE |         | <b>FWBERMEGATRI100CP</b> |      |          |

Drawn: **Andrew Suhatam**  
Date: *27/01/2010*  
SCALE: 1:2.5  
SHEET 2 OF 2

