

MATERIALS	
Tile insert	DZR Brass
100mm Bermuda Strainer	Polypropylene
100mm Base	DZR Brass

**BOUNTY BERMUDA FLOOR GRATE**  
**150mm x 100mm Floor Grate**

UNLESS OTHERWISE STATED:  
 DIMENSIONS ARE IN mm  
 SURFACE FINISH:  
 TOLERANCES:  
 LINEAR:  
 ANGULAR:

MATERIALS	REV. NO	DESCRIPTION	DATE	APPROVED
DZR Brass				
P.P.				
PRODUCT CODE		<b>FWBER150100CP</b>		

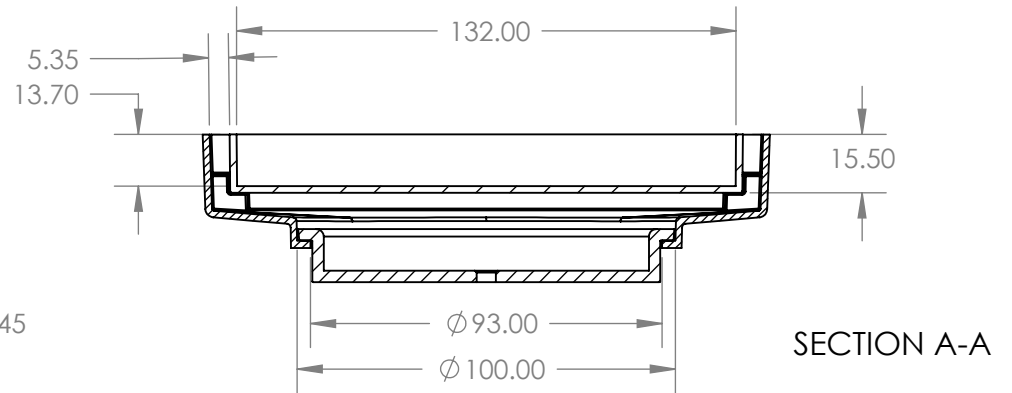
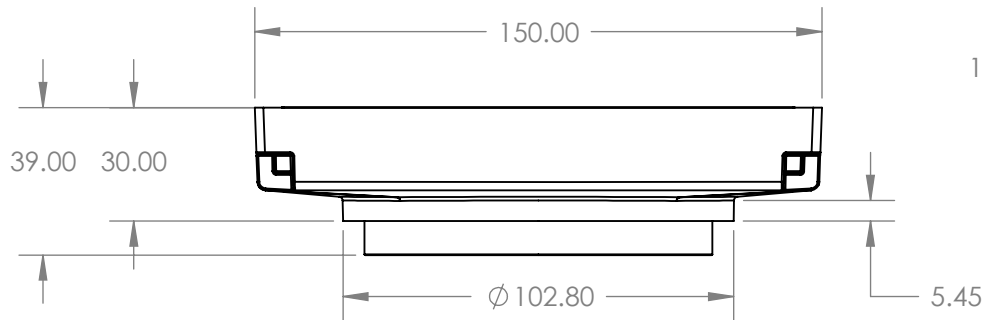
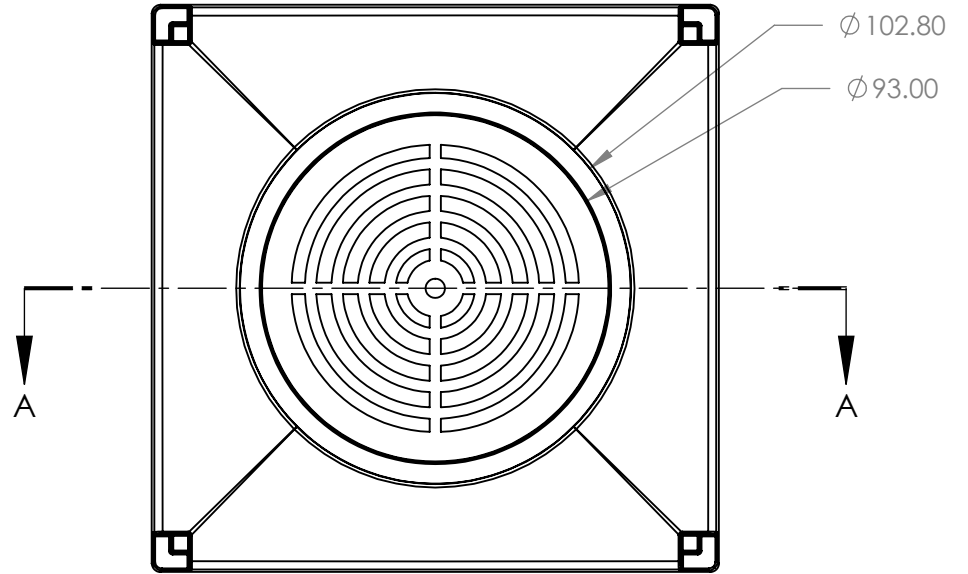
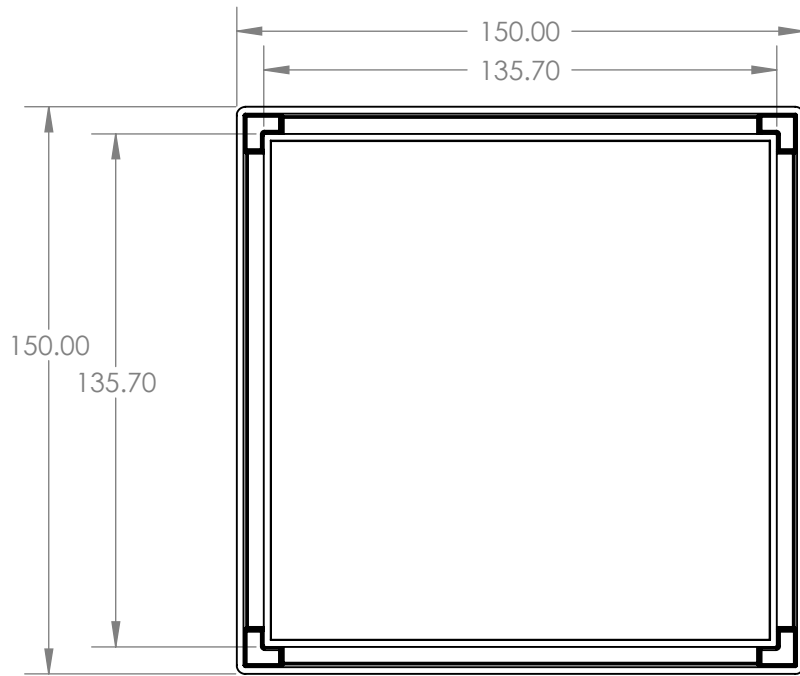
Drawn: **Andrew Suhatam**

Date: *25/04/2010*

SCALE: 1:2

SHEET 1 OF 2





**BOUNTY BERMUDA FLOOR GRATE**  
**150mm x 100mm Floor Grate**

UNLESS OTHERWISE STATED:  
 DIMENSIONS ARE IN mm  
 SURFACE FINISH:  
 TOLERANCES:  
 LINEAR:  
 ANGULAR:

MATERIALS	REV. NO	DESCRIPTION	DATE	APPROVED
DZR Brass	1	Changed opening diameter to 102.80mm	24/2/10	
PRODUCT CODE		<b>FWBER150100CP</b>		

Drawn: **Andrew Suhatam**

Date: *25/04/2010*

SCALE: 1:2

SHEET 2 OF 2

