

MATERIALS	
Tile insert	DZR Brass
50mm Bermuda Strainer	Stainless Steel
50mm Base	DZR Brass

BOUNTY BERMUDA FLOOR GRATE
150mm x 50mm Floor Grate

UNLESS OTHERWISE STATED:
 DIMENSIONS ARE IN mm
 SURFACE FINISH:
 TOLERANCES:
 LINEAR:
 ANGULAR:

MATERIALS	REV. NO	DESCRIPTION	DATE	APPROVED
DZR Brass				
S.S.				
PRODUCT CODE		FWBER15050CP		

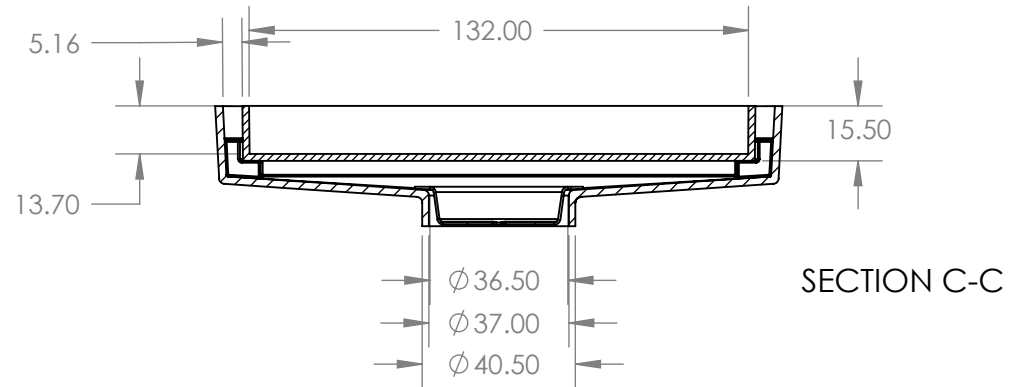
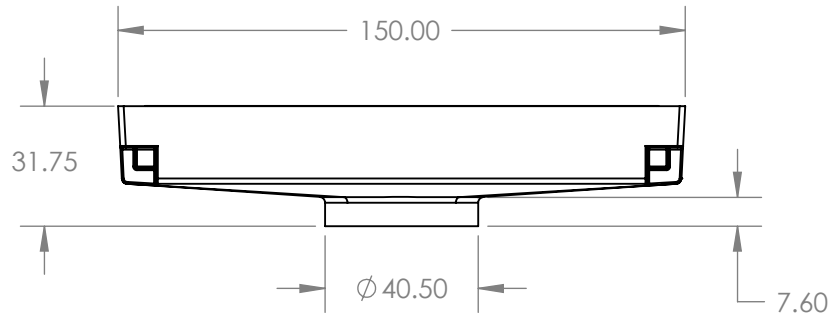
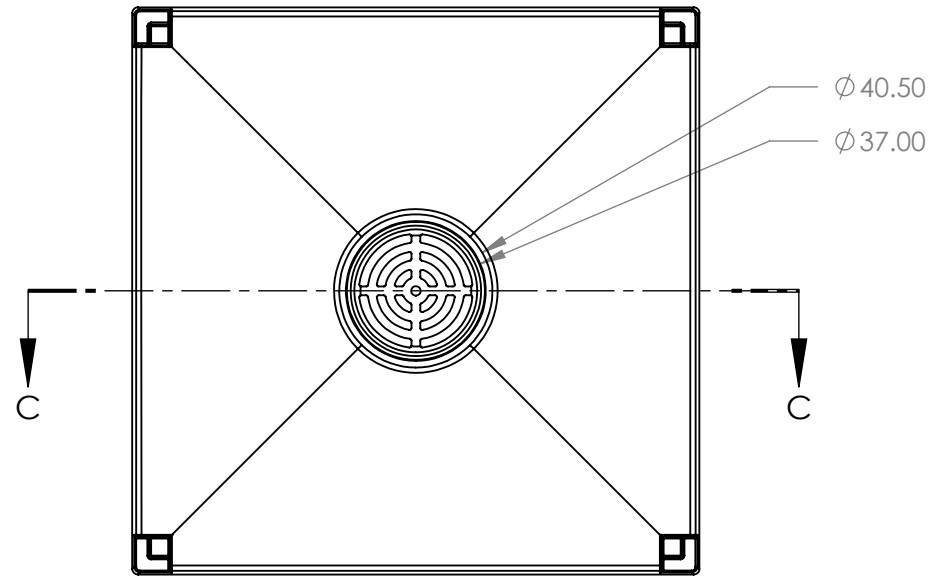
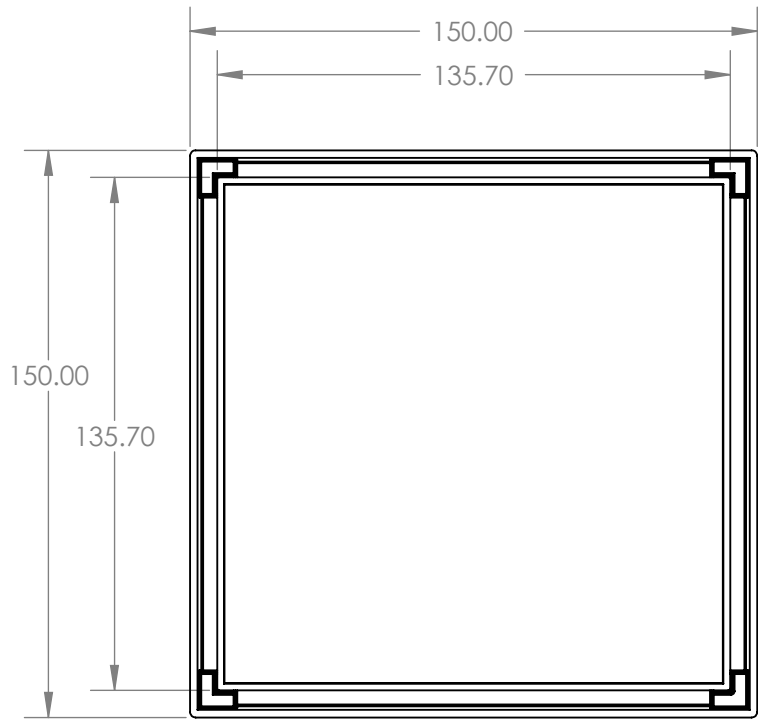
Drawn: **Andrew Suhatam**

Date: *25/04/2010*

SCALE: 1:2

SHEET 1 OF 2





BOUNTY BERMUDA FLOOR GRATE
150mm x 50mm Floor Grate

UNLESS OTHERWISE STATED:
DIMENSIONS ARE IN mm
SURFACE FINISH:
TOLERANCES:
LINEAR:
ANGULAR:

MATERIALS	REV. NO	DESCRIPTION	DATE	APPROVED
PRODUCT CODE		FWBER15050CP		

Drawn: **Andrew Suhatam**

Date: *25/04/2010*

SCALE: 1:2

SHEET 2 OF 2

