

MATERIALS	
Tile Insert	DZR Brass
50mm Strainer	Stainless Steel
50mm Base	DZR Brass

**50mm BERMUDA FLIPPER GRATE**  
Flipper Floor Grate

UNLESS OTHERWISE STATED:  
DIMENSIONS ARE IN mm  
SURFACE FINISH:  
TOLERANCES:  
LINEAR:  
ANGULAR:

MATERIALS	REV. NO	DESCRIPTION	DATE	APPROVED
DZR Brass	1	Changed opening from 50.25mm to 40.50mm		
PRODUCT CODE		<b>FWBERFLIP50SC</b>		

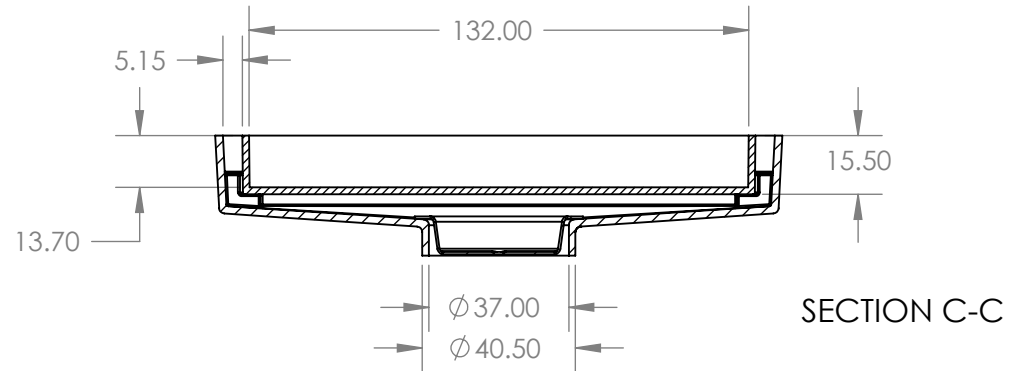
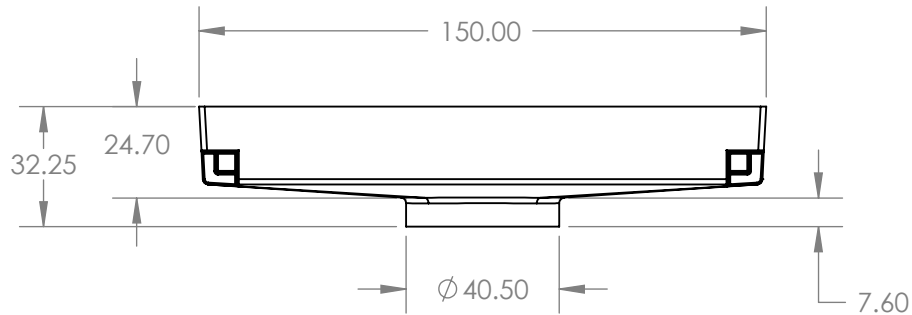
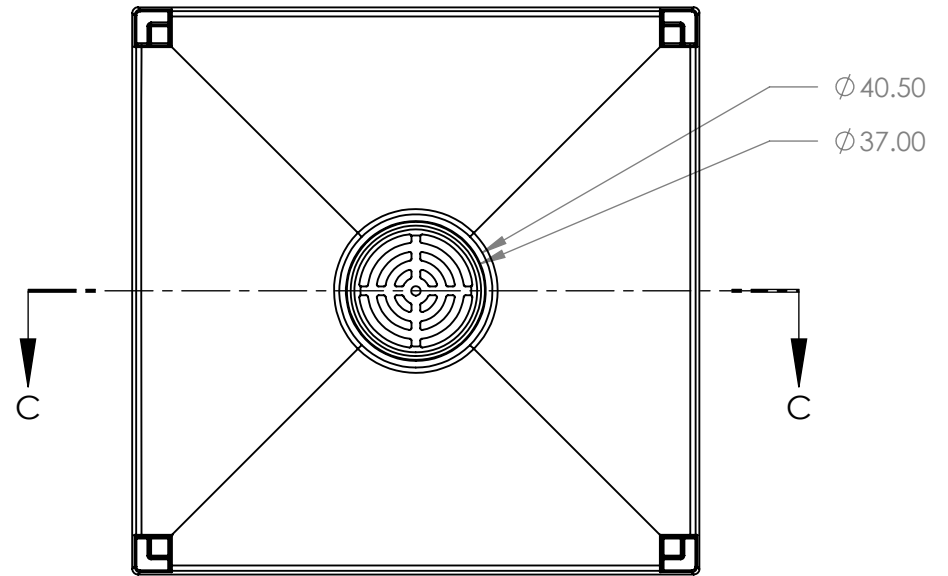
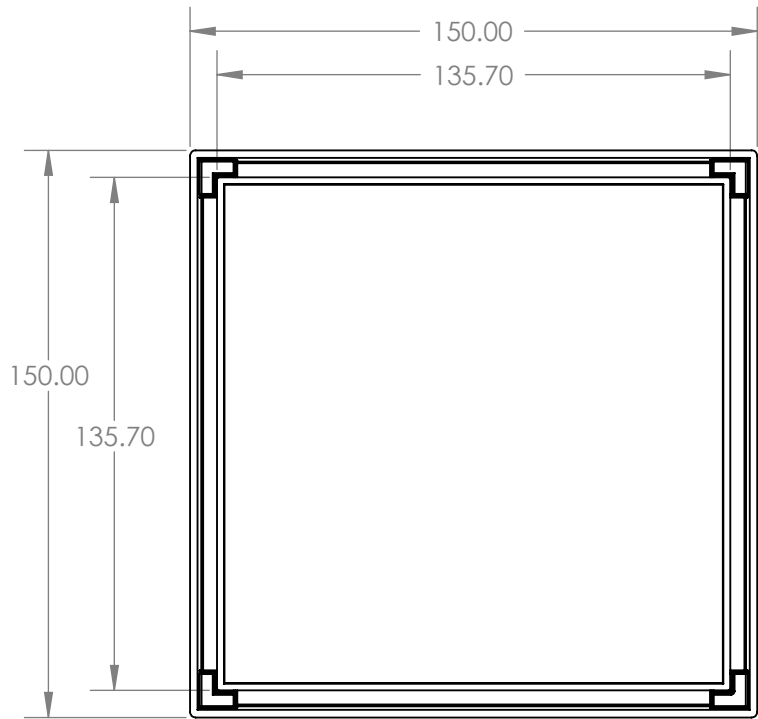
Drawn: **Andrew Suhatam**

Date: *27/05/2010*

SCALE: 1:2

SHEET 1 OF 4





**50mm BERMUDA FLIPPER GRATE**  
Flipper Floor Grate

UNLESS OTHERWISE STATED:  
DIMENSIONS ARE IN mm  
SURFACE FINISH:  
TOLERANCES:  
LINEAR:  
ANGULAR:

MATERIALS	REV. NO	DESCRIPTION	DATE	APPROVED
DZR Brass	1	Changed opening from 50.25mm to 40.50mm		
PRODUCT CODE		<b>FWBERFLIP50SC</b>		

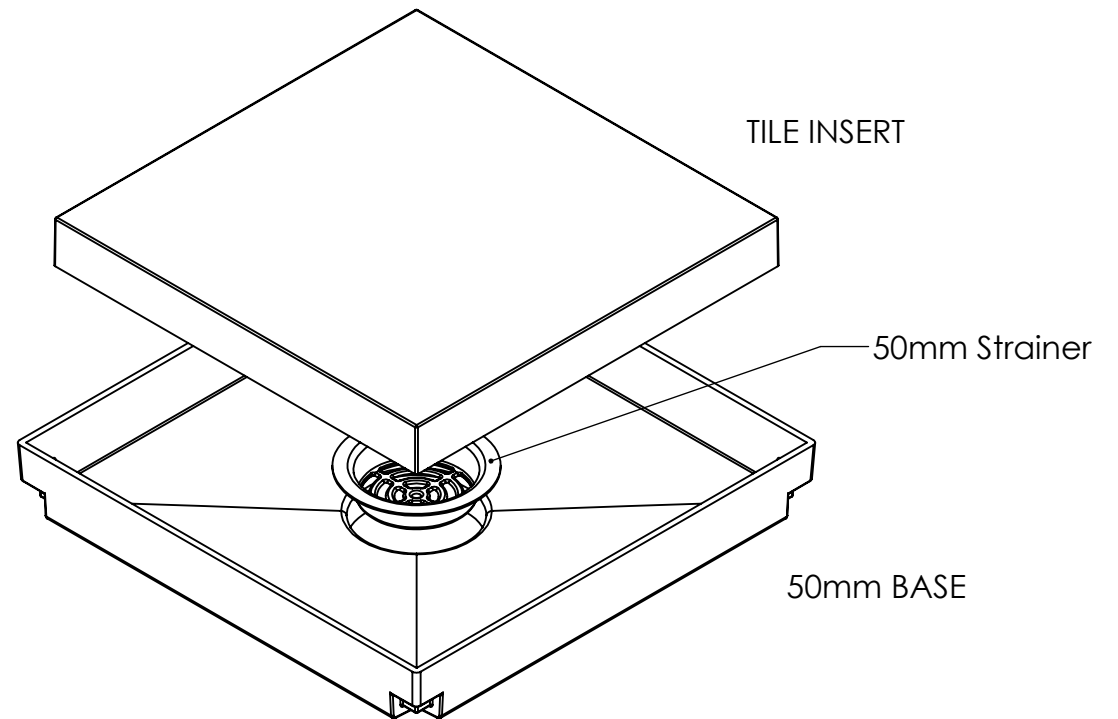
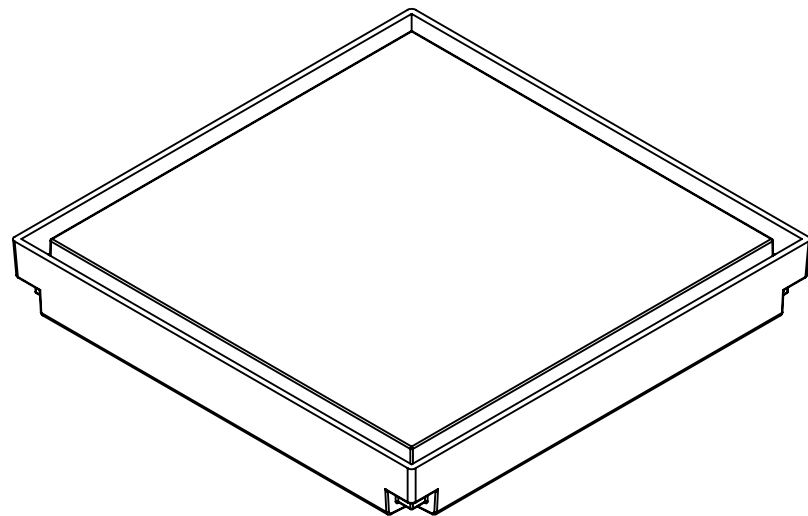
Drawn: **Andrew Suhatam**

Date: *27/05/2010*

SCALE: 1:2

SHEET 2 OF 4





**MATERIALS**

Tile Insert	DZR Brass
50mm Strainer	Stainless Steel
50mm Base	DZR Brass

**50mm BERMUDA FLIPPER GRATE  
(Flipped Tile Insert) Flipper Floor Grate**

UNLESS OTHERWISE STATED:  
DIMENSIONS ARE IN mm  
SURFACE FINISH:  
TOLERANCES:  
LINEAR:  
ANGULAR:

MATERIALS	REV. NO	DESCRIPTION	DATE	APPROVED
DZR Brass	1	Changed opening from 50.25mm to 40.50mm		
<b>PRODUCT CODE</b>		<b>FWBERFLIP50SC</b>		

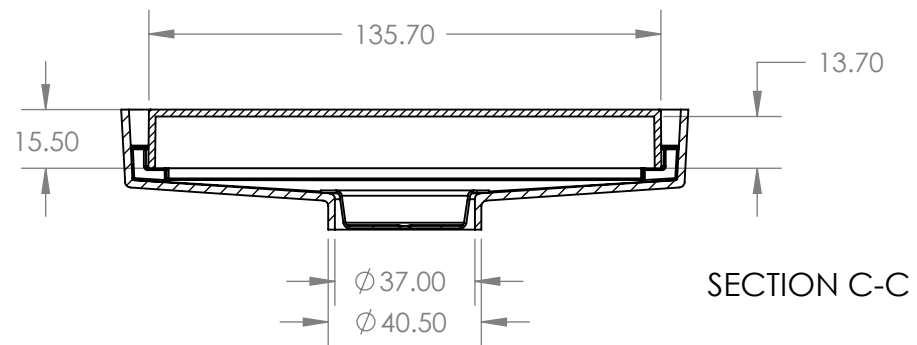
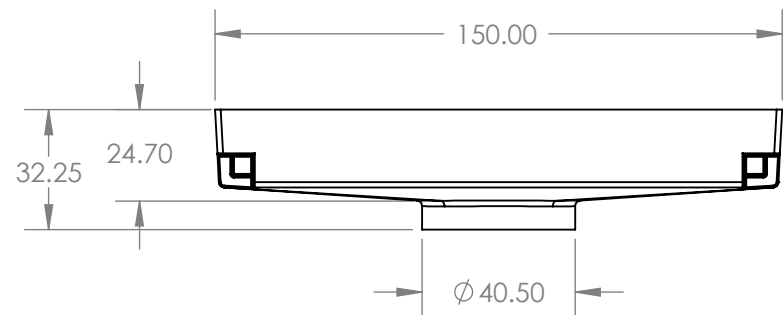
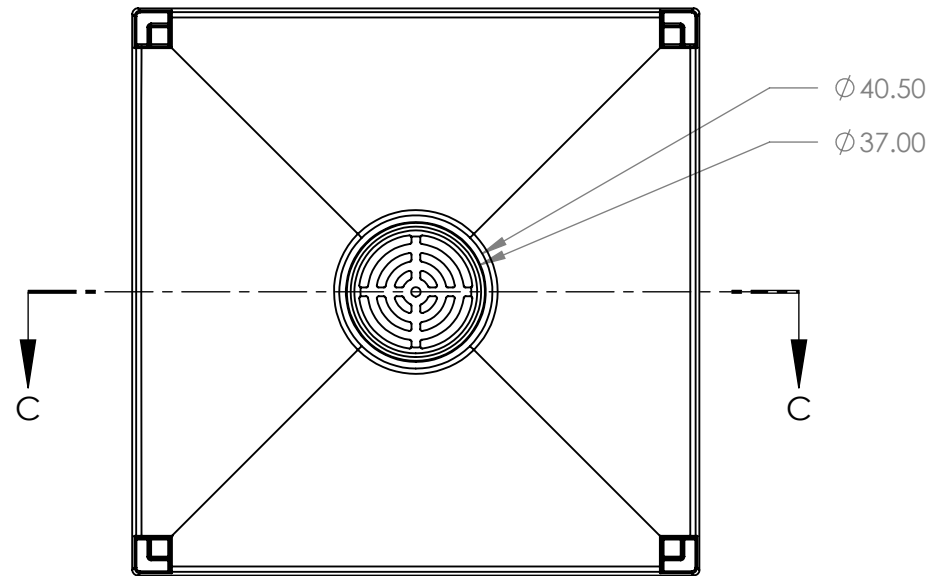
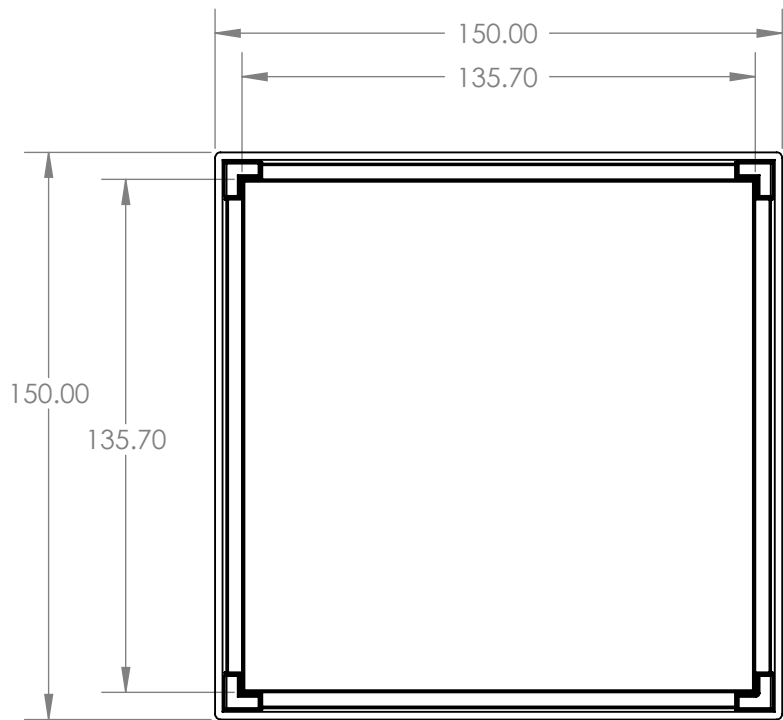
Drawn: **Andrew Suhatam**

Date: *27/05/2010*

SCALE: 1:2

SHEET 3 OF 4





**50mm BERMUDA FLIPPER GRATE  
(Flipped Tile Insert) Flipper Floor Grate**

UNLESS OTHERWISE STATED:  
DIMENSIONS ARE IN mm  
SURFACE FINISH:  
TOLERANCES:  
LINEAR:  
ANGULAR:

MATERIALS	REV. NO	DESCRIPTION	DATE	APPROVED
DZR Brass	1	Changed opening from 50.25mm to 40.50mm		
PRODUCT CODE		<b>FWBERFLIP50SC</b>		

Drawn: **Andrew Suhatam**

Date: *27/05/2010*

SCALE: 1:2

SHEET 4 OF 4

