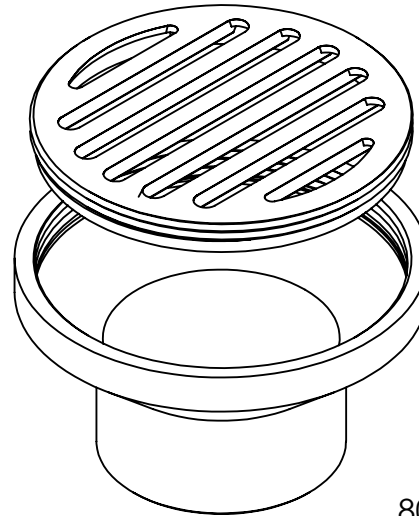


80mm THREADED ROUND GRATE



80mm X 50mm STANDARD ROUND WASTE

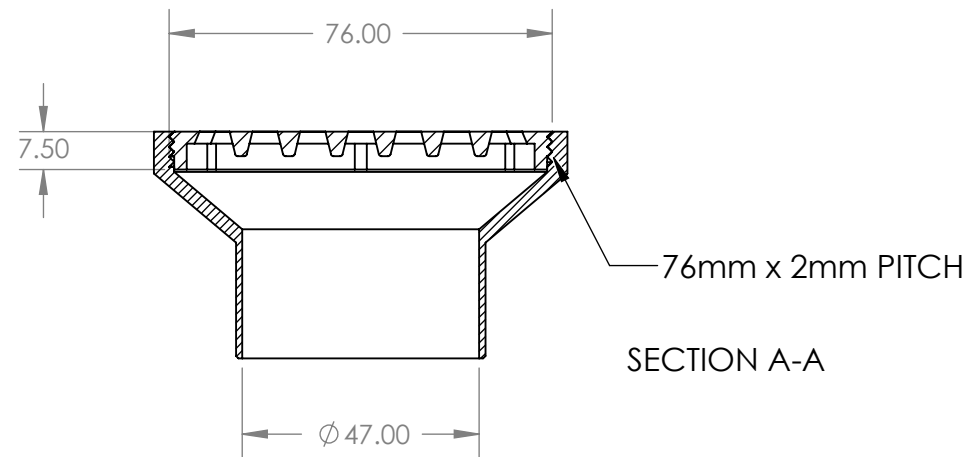
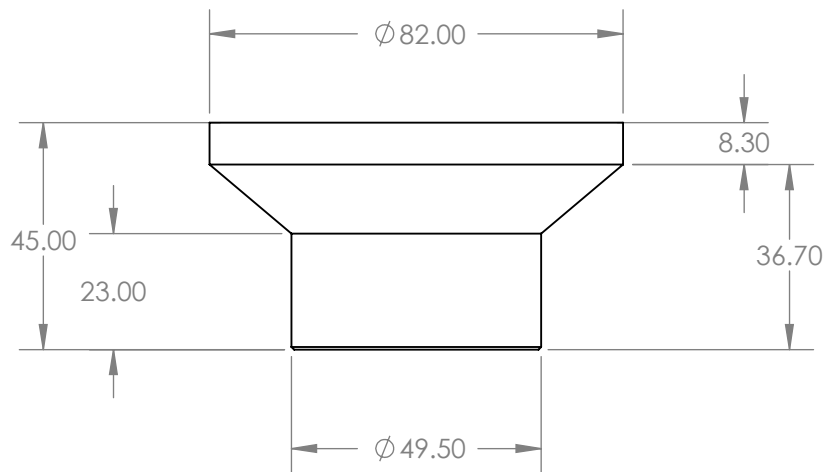
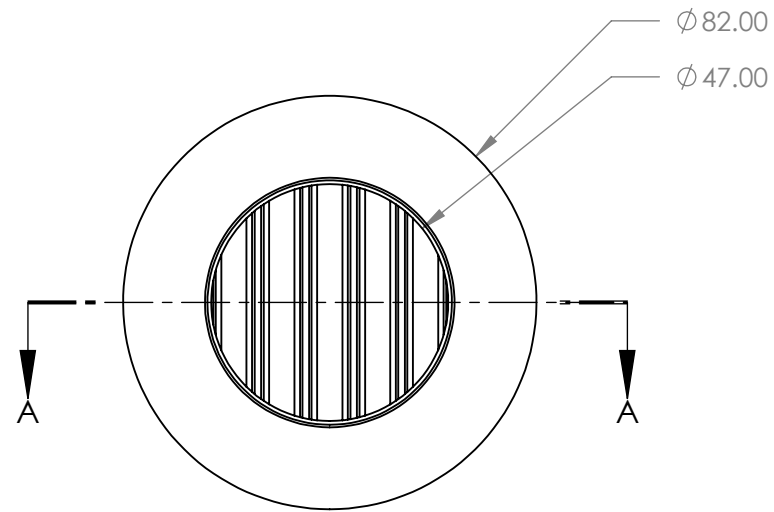
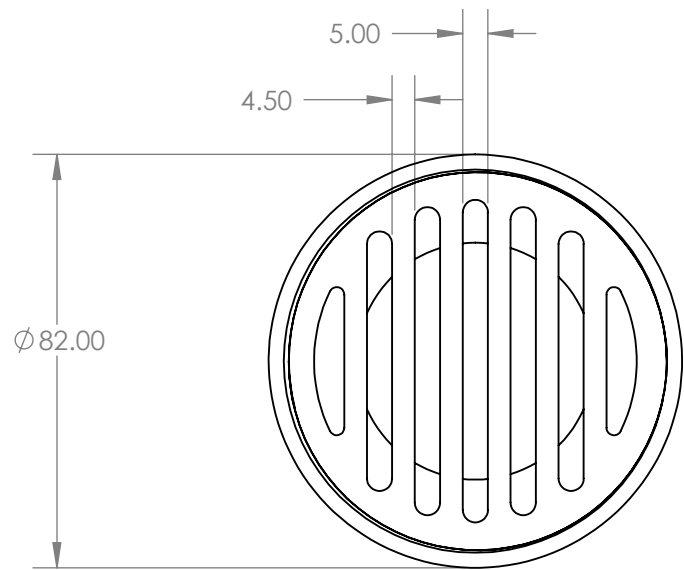
**80mm x 50mm ROUND WASTE
Standard Floor Waste**

UNLESS OTHERWISE STATED:
DIMENSIONS ARE IN mm
SURFACE FINISH:
TOLERANCES:
LINEAR:
ANGULAR:

MATERIALS	REV. NO	DESCRIPTION	DATE	APPROVED
PRODUCT CODE				

Drawn:	Andrew Suhatam
Date:	02/02/2010
SCALE: 1:1.5	
SHEET 1 OF 2	





80mm x 50mm ROUND WASTE
Standard Floor Waste

UNLESS OTHERWISE STATED:
 DIMENSIONS ARE IN mm
 SURFACE FINISH:
 TOLERANCES:
 LINEAR:
 ANGULAR:

MATERIALS	REV. NO	DESCRIPTION	DATE	APPROVED
PRODUCT CODE				

Drawn: **Andrew Suhatam**
 Date: *02/02/2010*
 SCALE: 1:1.5
 SHEET 2 OF 2

