

80mm THREADED ROUND GRATE

80mm X 50mm STANDARD SQUARE WASTE

80mm x 50mm SQUARE WASTE
Standard Floor Waste

UNLESS OTHERWISE STATED:
 DIMENSIONS ARE IN mm
 SURFACE FINISH:
 TOLERANCES:
 LINEAR:
 ANGULAR:

MATERIALS	REV. NO	DESCRIPTION	DATE	APPROVED
PRODUCT CODE				

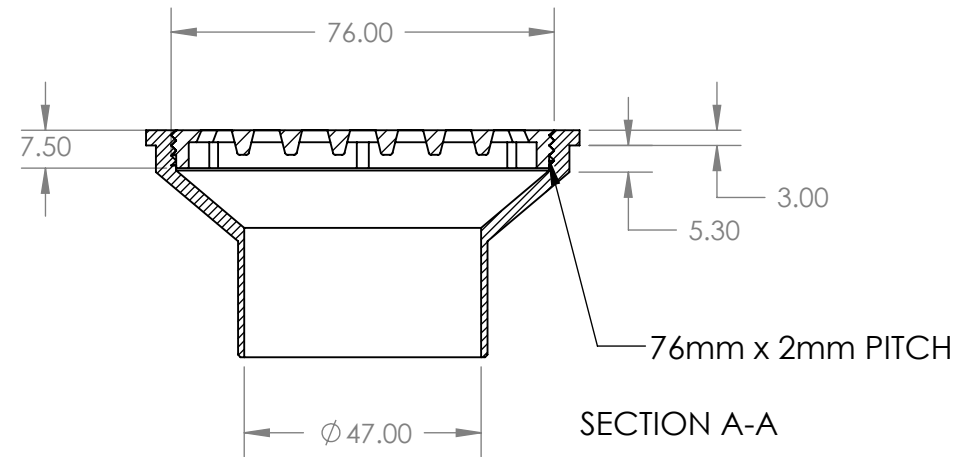
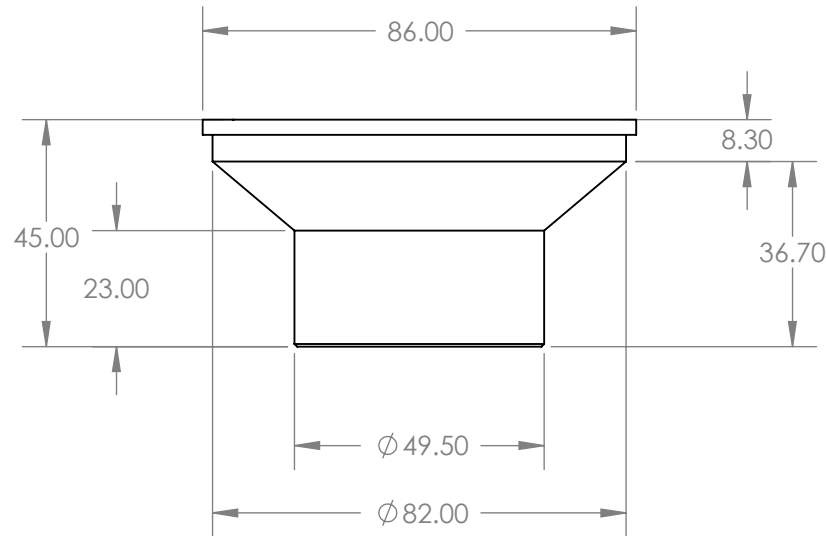
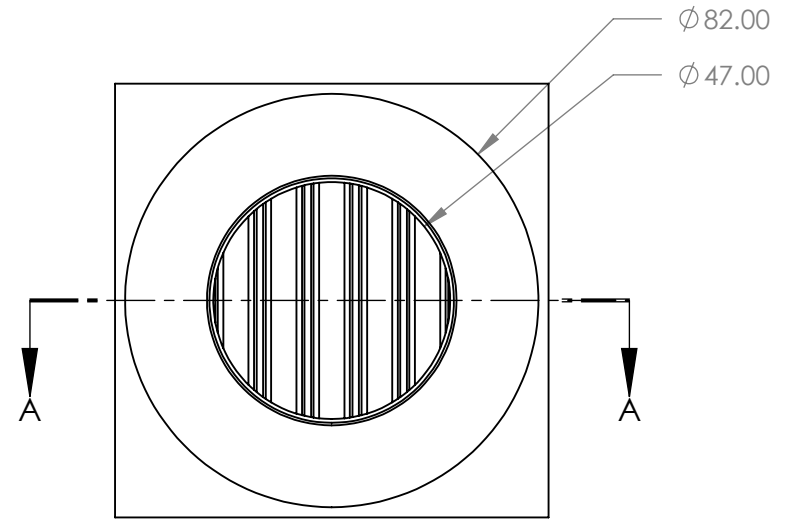
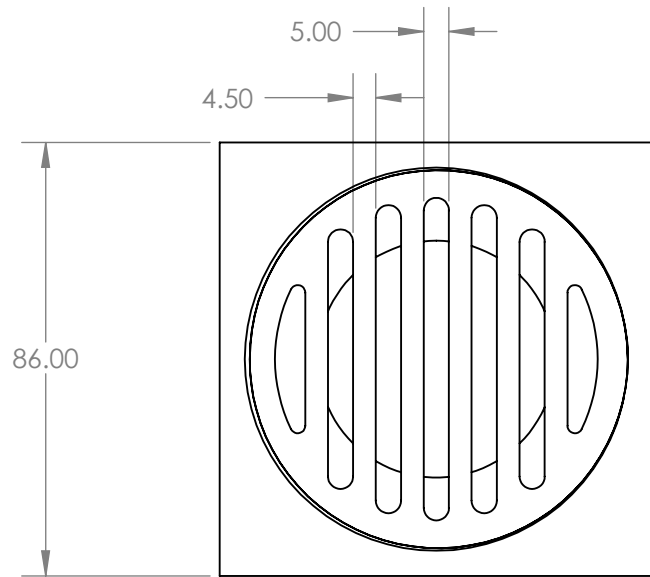
Drawn: **Andrew Suhatam**

Date: *02/02/2010*

SCALE: 1:1.5

SHEET 1 OF 2





80mm x 50mm SQUARE WASTE
Standard Floor Waste

UNLESS OTHERWISE STATED:
DIMENSIONS ARE IN mm
SURFACE FINISH:
TOLERANCES:
LINEAR:
ANGULAR:

MATERIALS	REV. NO	DESCRIPTION	DATE	APPROVED
PRODUCT CODE				

Drawn: **Andrew Suhatam**

Date: *02/02/2010*

SCALE: 1:1.5

SHEET 2 OF 2

