

80mm THREADED ROUND GRATE

80mm LONG TAIL SQUARE BASE

**80mm LONG TAIL SQUARE WASTE
Standard Floor Grate**

UNLESS OTHERWISE STATED:
DIMENSIONS ARE IN mm
SURFACE FINISH:
TOLERANCES:
LINEAR:
ANGULAR:

MATERIALS	REV. NO	DESCRIPTION	DATE	APPROVED
PRODUCT CODE				

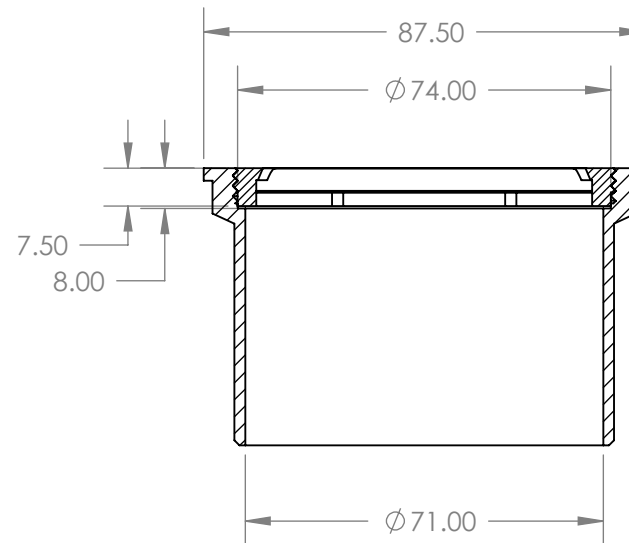
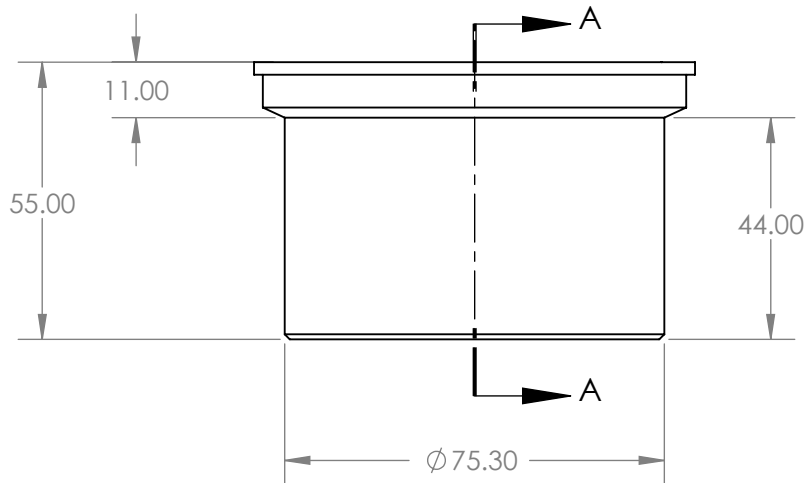
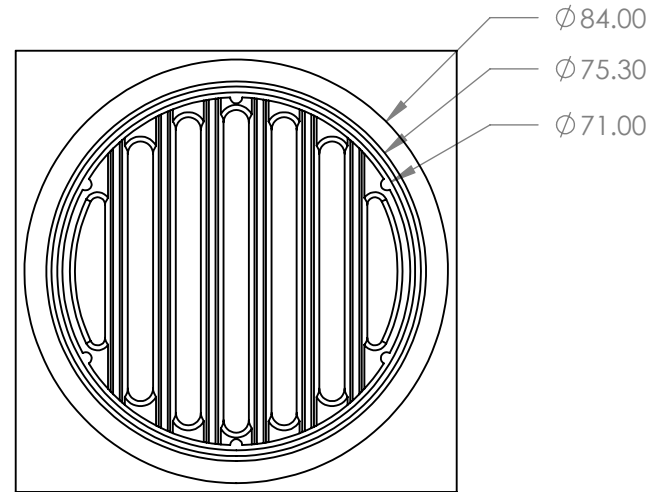
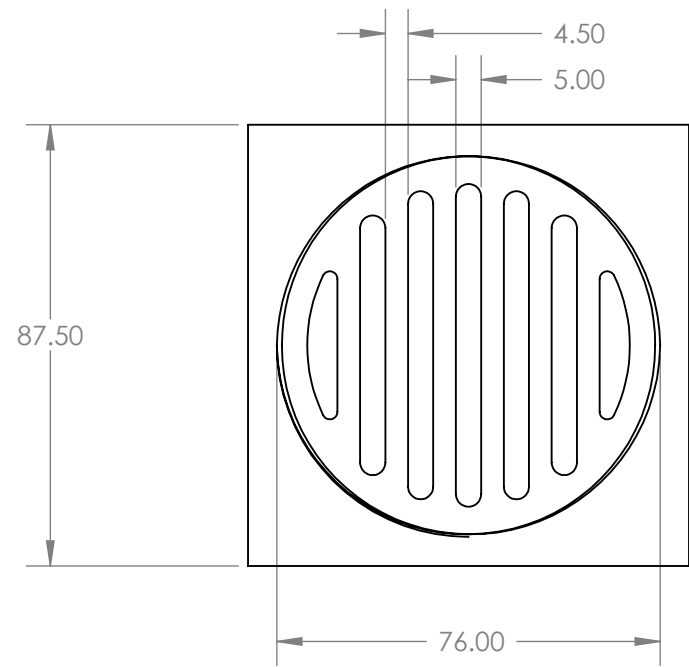
Drawn: **Andrew Suhatam**

Date: *02/02/2010*

SCALE: 1:1.5

SHEET 1 OF 2





SECTION A-A

**80mm LONG TAIL SQUARE WASTE
Standard Floor Grate**

UNLESS OTHERWISE STATED:
DIMENSIONS ARE IN mm
SURFACE FINISH:
TOLERANCES:
LINEAR:
ANGULAR:

MATERIALS	REV. NO	DESCRIPTION	DATE	APPROVED
PRODUCT CODE				

Drawn: **Andrew Suhatam**

Date: *02/02/2010*

SCALE: 1:1.5

SHEET 2 OF 2

