

100mm ROUND GRATE

100mm STANDARD ROUND BASE

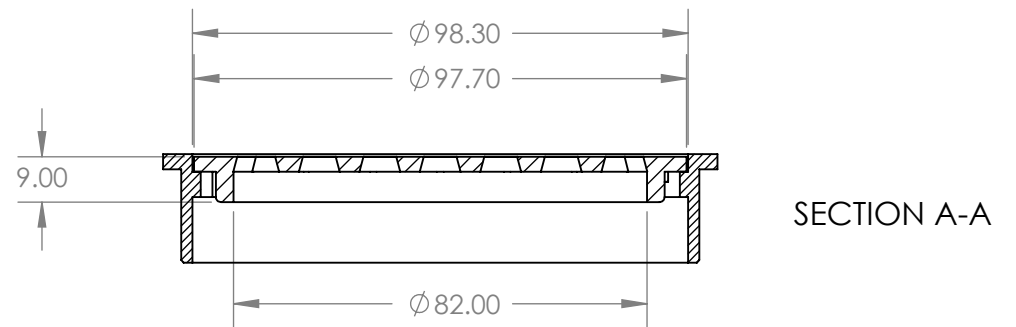
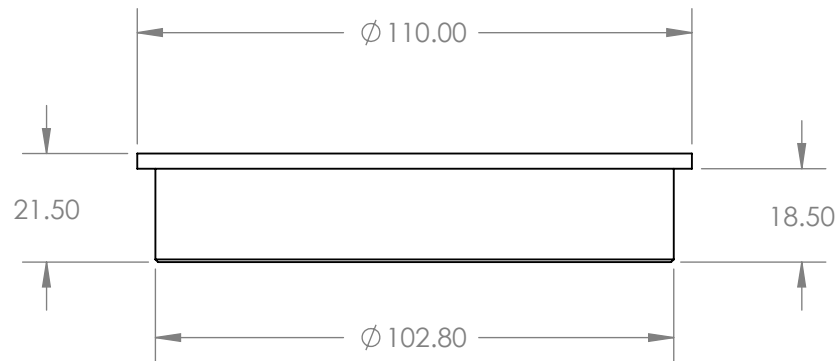
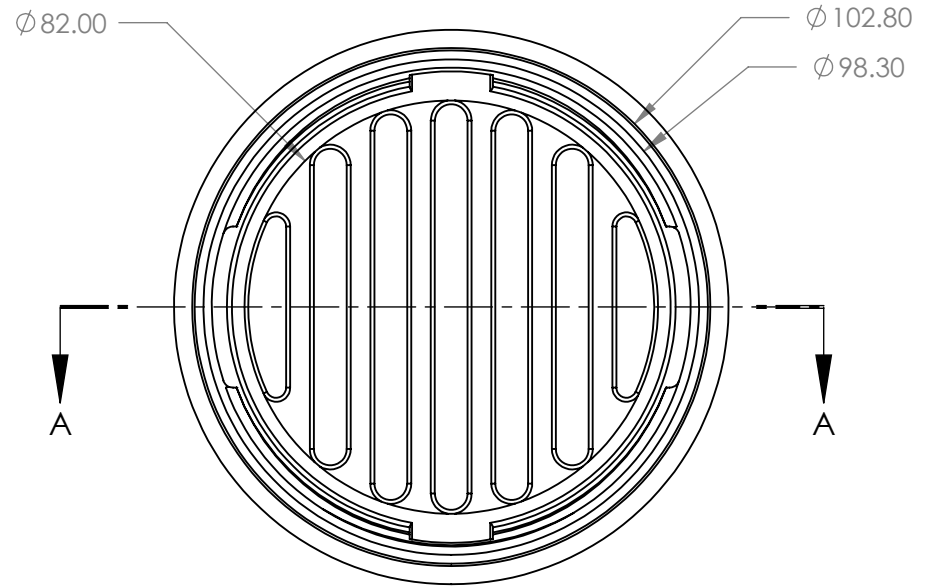
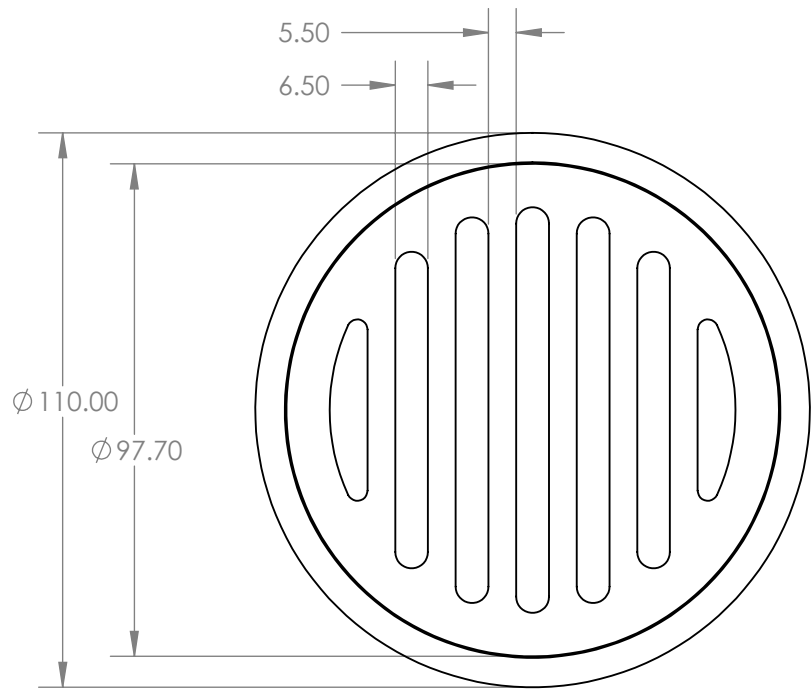
**100mm ROUND FLOOR WASTE**  
**Standard Floor Waste**

UNLESS OTHERWISE STATED:  
 DIMENSIONS ARE IN mm  
 SURFACE FINISH:  
 TOLERANCES:  
 LINEAR:  
 ANGULAR:

MATERIALS	REV. NO	DESCRIPTION	DATE	APPROVED
PRODUCT CODE				

Drawn: **Andrew Suhatam**  
 Date: *01/02/2010*  
 SCALE: 1:1.5  
 SHEET 1 OF 2





**100mm ROUND FLOOR WASTE**  
Standard Floor Waste

UNLESS OTHERWISE STATED:  
DIMENSIONS ARE IN mm  
SURFACE FINISH:  
TOLERANCES:  
LINEAR:  
ANGULAR:

MATERIALS	REV. NO	DESCRIPTION	DATE	APPROVED
PRODUCT CODE				

Drawn: **Andrew Suhatam**

Date: 01/02/2010

SCALE: 1:1.5

SHEET 2 OF 2

