

MATERIALS	
Tile insert	DZR Brass
80mm Strainer	Polypropylene
80mm Bermuda Base	DZR Brass

**BOUNTY BERMUDA FLOOR GRATE**  
**115mm x 80mm Floor Grate**

UNLESS OTHERWISE STATED:  
 DIMENSIONS ARE IN mm  
 SURFACE FINISH:  
 TOLERANCES:  
 LINEAR:  
 ANGULAR:

MATERIALS	REV. NO	DESCRIPTION	DATE	APPROVED
DZR Brass				
P.P.				
PRODUCT CODE	<b>FWBER11580</b>			

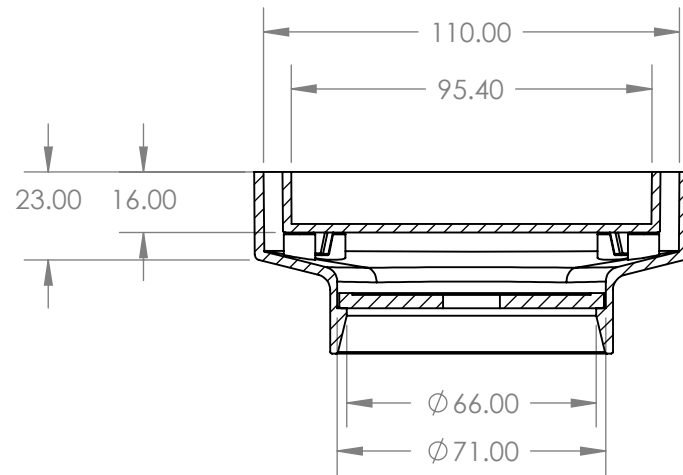
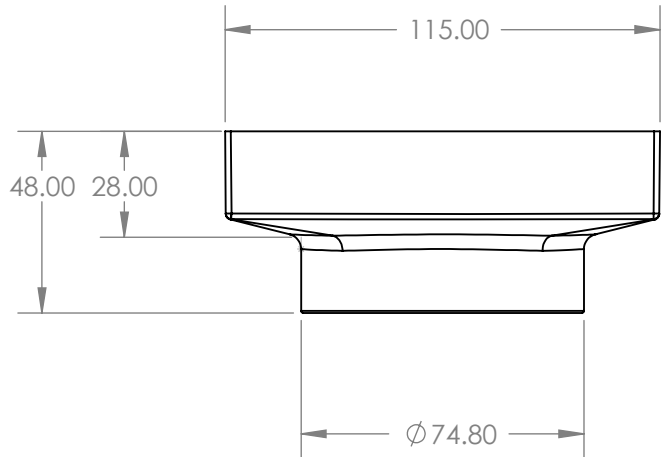
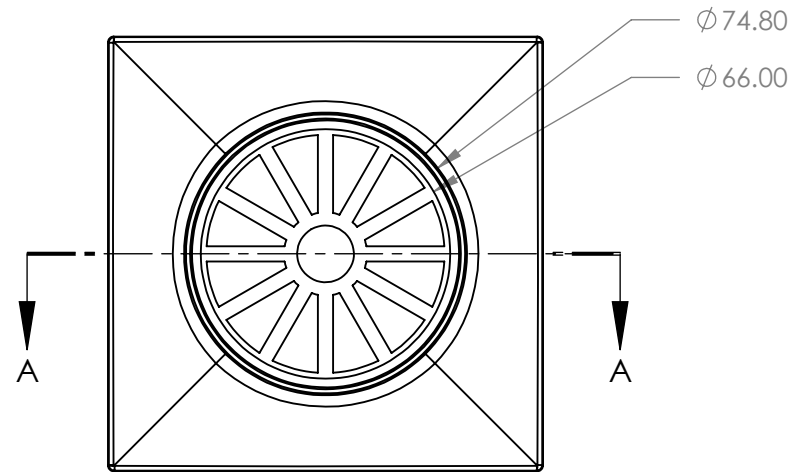
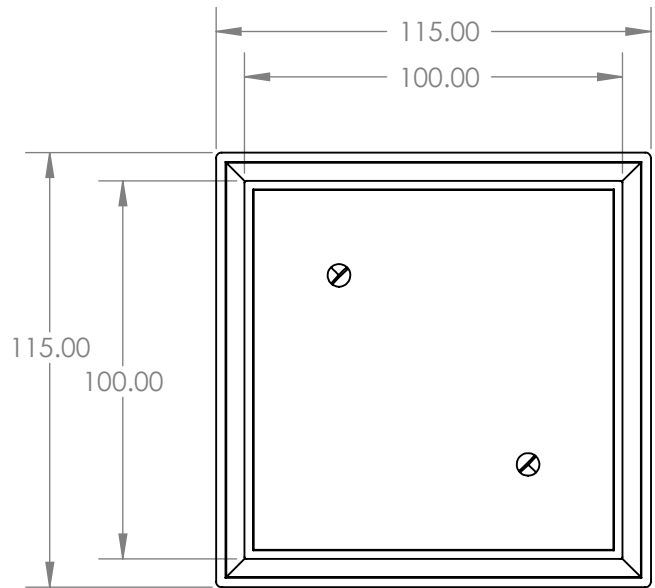
Drawn: **Andrew Suhatam**

Date: *25/01/2010*

SCALE: 1:2

SHEET 1 OF 2





SECTION A-A

**BOUNTY BERMUDA FLOOR GRATE**  
**115mm x 80mm Floor Grate**

UNLESS OTHERWISE STATED:  
 DIMENSIONS ARE IN mm  
 SURFACE FINISH:  
 TOLERANCES:  
 LINEAR:  
 ANGULAR:

MATERIALS	REV. NO	DESCRIPTION	DATE	APPROVED
DZR Brass				
P.P.				
PRODUCT CODE	<b>FWBER11580</b>			

Drawn: **Andrew Suhatam**

Date: *25/01/2010*

SCALE: 1:2

SHEET 2 OF 2

