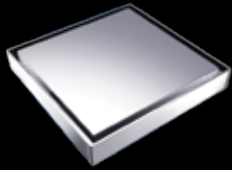




BOUNTY BRASSWARE FLOOR GRATE RANGE



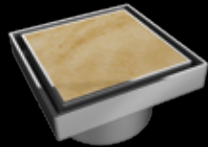
BERMUDA FLIPPER
FLOOR GRATES



BERMUDA
FLOOR GRATES



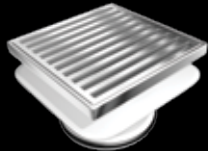
BERMUDA MEGA
FLOOR GRATES



BERMUDA LEAK CONTROL
FLOOR GRATES



BERMUDA CHANNEL
FLOOR GRATES



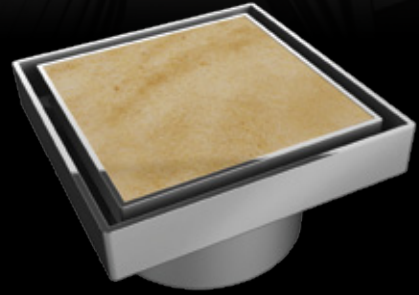
SQUARE ON SQUARE
FLOOR GRATES



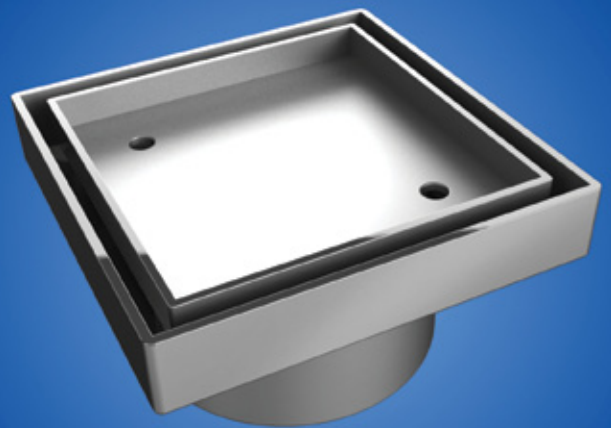
CLASSIC
FLOOR GRATES



SS316
FLOOR GRATES



BERMUDA LEAK CONTROL FLOOR GRATE



The Bermuda Leak Control Floor Grate range offers a variety of decorating options. The centre tile recess allows a coordinated tile to be at one with the surrounding floor tiles, in effect disappearing into the overall décor. Alternatively, use the centre tile recess to highlight a feature tile or contrasting tile for a spectacular effect. Either way, water will simply and stylishly disappear in front of your very eyes. See our gallery for stunning examples and inspiration.

Designed to suit the 80mm and 50mm leak control flange, it ensures a total solution for your project. Perfect installation is no longer impossible with the adjustability of height, while enabling positive engagement with your waterproof membrane for a total peace of mind.

REGISTERED DESIGN

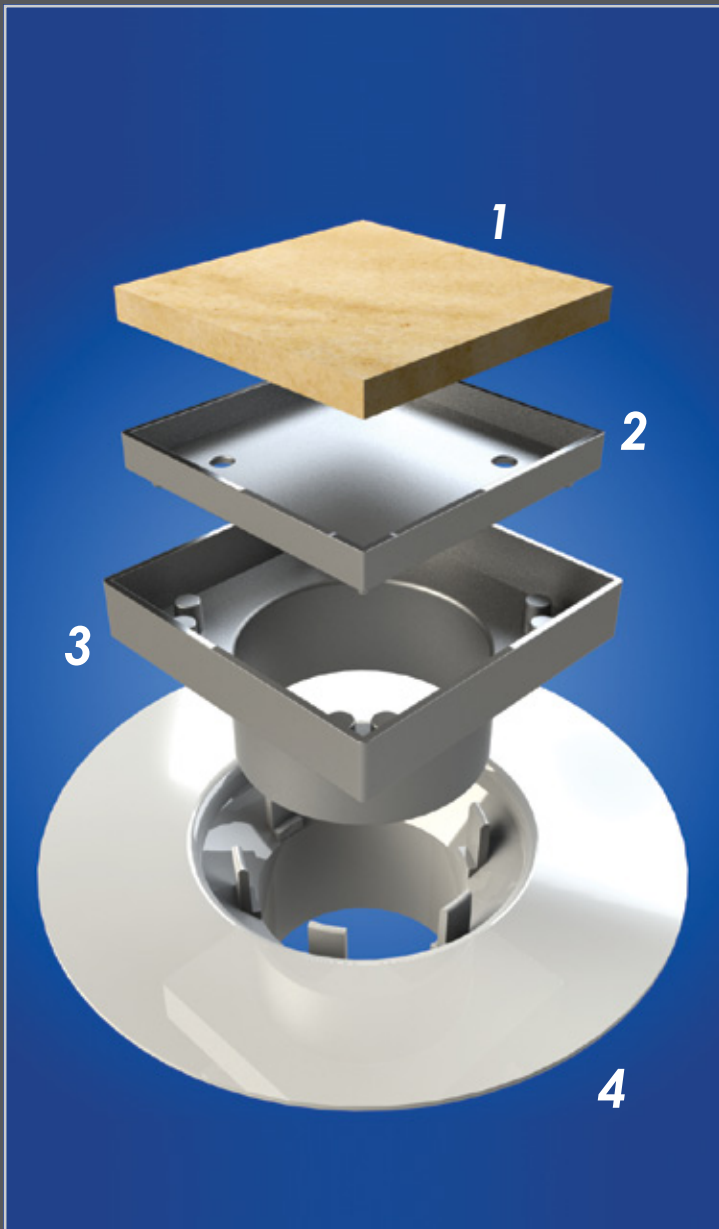


www.bountybrassware.com.au

Bounty Bermuda Leak Control floor grates designed by Bounty Brassware
Copyright © Bounty Brassware



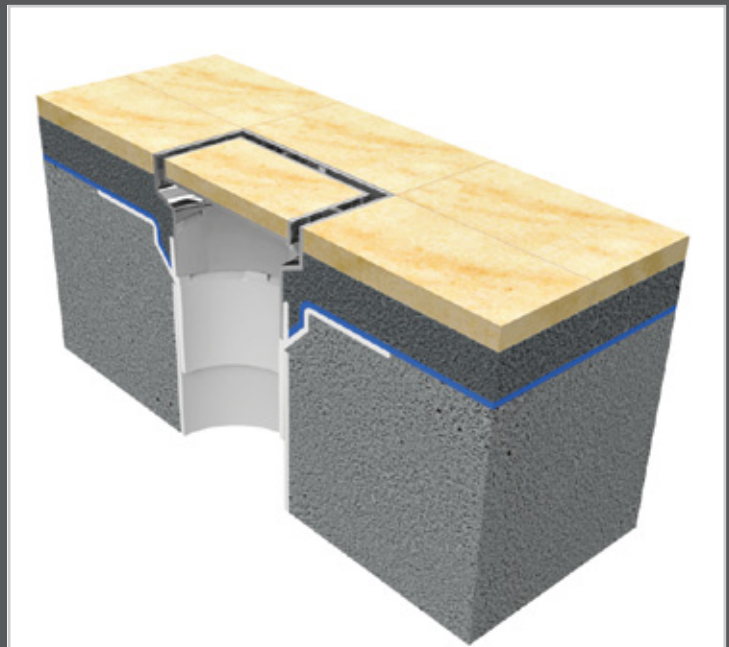
Made from DZR Brass
Made and designed in Australia



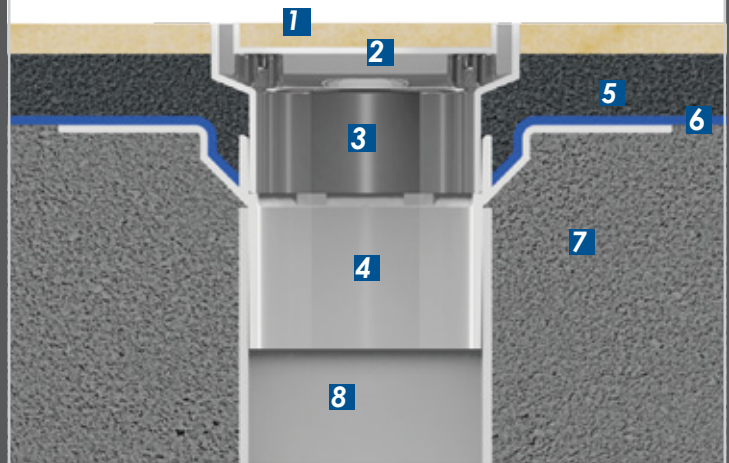
- 1** tile*
- 2** tile insert
- 3** waste body
- 4** leak control flange*

*80mm leak control flange shown

*not included



BERMUDA LEAK CONTROL FLOOR GRATE
CROSS SECTION VIEW

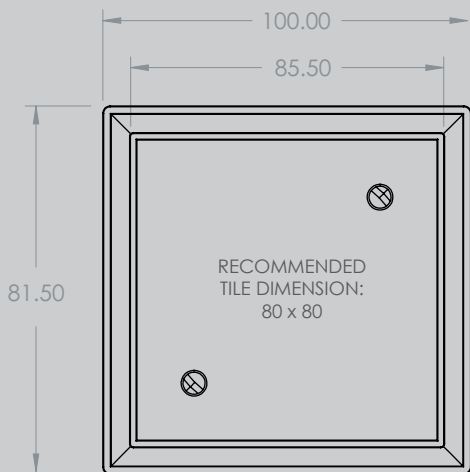


- 1** tile*
- 2** tile insert
- 3** waste body
- 4** leak control flange*
- 5** screed (mortar bed)
- 6** membrane
- 7** concrete
- 8** pipe

*80mm leak control flange shown

*not included

TOP VIEW



UNLESS OTHERWISE STATED
ALL DIMENSIONS IN MILLIMETRES

SIDE VIEW

