

NEW RANGE!
to fit leak control flanges



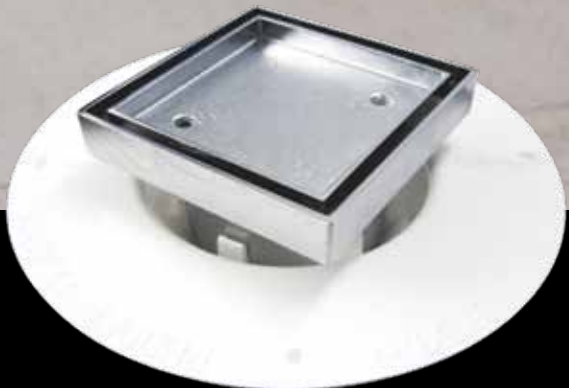
BERMUDA FLOOR GRATE



BOUNTY BRASSWARE AUSTRALIA

14 White Street
Bayswater, 6053
Western Australia

P 1300 799 982
F +61 8 9370 4450
sales@bountybrassware.com.au

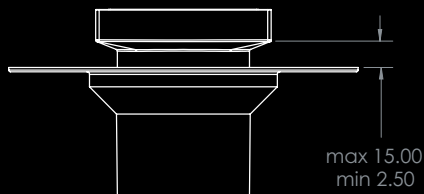
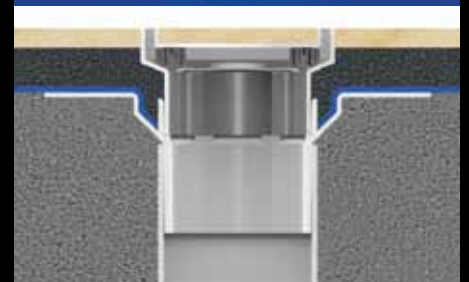
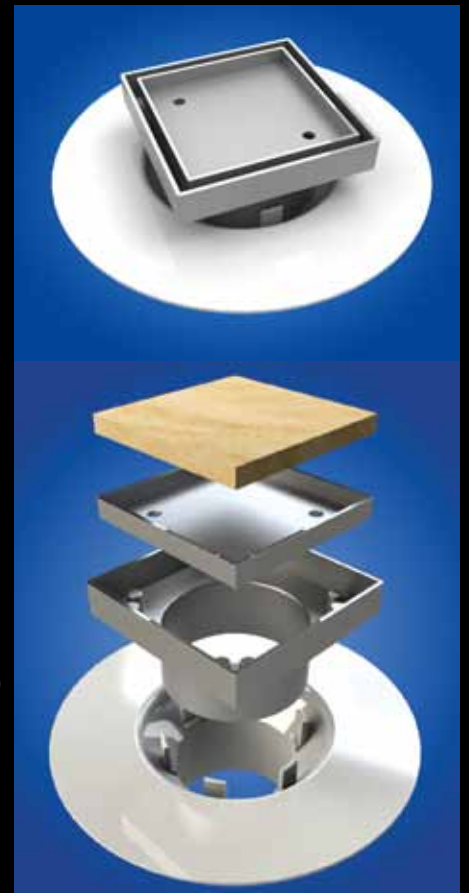
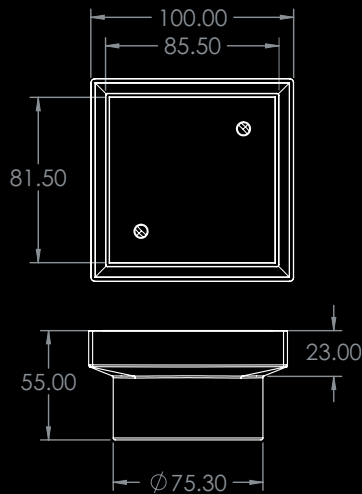




THE NEW BERMUDA LEAK CONTROL FLOOR GRATE

Introducing the newest addition to our designer Bounty Brassware Bermuda range floor grates - the Leak Control Bermuda floor grate. Designed to fit the 80mm or 50mm leak control flanges, the Leak Control Bermuda floor grate offers the most perfectly balanced design solution for your bathroom. **Sophistication by form and function.**

FACE DIMENSION	100mm x 100mm
CONNECTION SIZE	80mm / 50mm
FLOW RATE	>90L/min
MATERIALS	
<ul style="list-style-type: none"> • Tile insert • Base • Leak Control flange 	<p>DZR Brass</p> <p>DZR Brass</p> <p>ABS</p>
APPROVAL	



Bermuda Leak Control floor grate installed into a puddle flange (80mm)



tail can be cut off to suit height requirement



BOUNTY BRASSWARE AUSTRALIA

14 White Street
Bayswater, 6053
Western Australia

P 1300 799 982
F +61 8 9370 4450
sales@bountybrassware.com.au